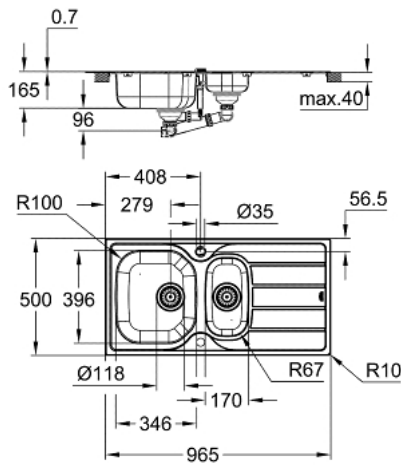


31 564 SD1 K200 STAINLESS STEEL SINK WITH DRAINER



PRODUCT DESCRIPTION

- Colour: stainless steel
- model: K200 60-S 96.5/50 1.5 rev
- mounting type: top mount
- material: stainless steel AISI 304 (V2A)
- material thickness: 0.7 mm (± 0.1 mm)
- GROHE LongLife finish
- finish: satin finish
- GROHE Whisper
- min. cabinet size: 600 mm
- dimensions: 965 x 500 mm
- 1 bowl: 346 x 396 x 150 mm
- 1 bowl: 170 x 320 x 80 mm
- outer radius: R10 (topmount), inner bowl radius: R100
- GROHE FastFixation rapid installation system
- sink mountable left or right
- cut-out (top mount): 941 x 476 mm
- drilling holes: 2 x 35 mm
- waste: Ø 3.5"/90 mm waste strainer with automatic waste fitting
- optional push to open excenter (40 986 SD0)
- amount of fasteners included (top mount): 16

31 564 SD1 K200 STAINLESS STEEL SINK WITH DRAINER

SPARE PARTS, 8月 2019 – now

1: Plug (Spare part-nr. 42588SD0)

2: Plug (Spare part-nr. 42589SD0)

3: Turning handle (Spare part-nr. 42587SD0)

