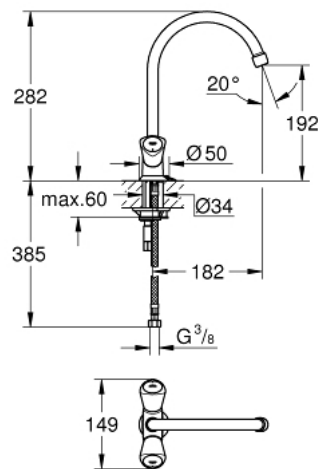


31 774 001 COSTA S TWO-HANDLE SINK MIXER

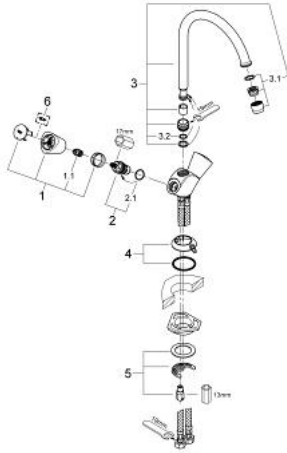


PRODUCT DESCRIPTION

- Colour: chrome
- metal handles
- heat-insulated
- screwable
- Carbodur headparts
- swivel tubular spout, swivel area 360°
- mousseur
- chain ring
- flexible connection hoses
- GROHE LongLife finish



31 774 001 COSTA S TWO-HANDLE SINK MIXER



SPARE PARTS, June 2007 – now

- 1: Handle (Spare part-nr. 45995000)
 - 1.1: Repl. kit f.handle fastening (Spare part-nr. 0538600M)
 - 2: Ceramic headpart, 1/2" (Spare part-nr. 45346000)
 - 2.1: O-ring $\varnothing 18.2 \times \varnothing 1.7$ (Spare part-nr. 0392400M)
 - 3: Spout (Spare part-nr. 13213000)
 - 3.1: Mousseur (Spare part-nr. 13928000)
 - 3.2: O-ring dia. 12x2 mm (Spare part-nr. 0128000M)
 - 4: Escutcheon (Spare part-nr. 48005000)
 - 5: Shank mounting kit (Spare part-nr. 46249000)
 - 6: Screw for Costa/Avina products (Spare part-nr. 48013000)*
- * Optional accessories