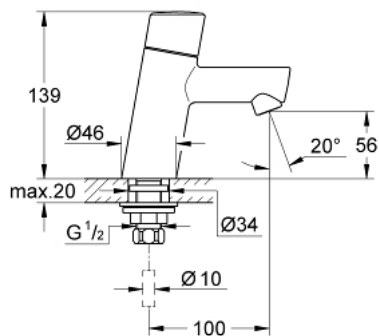


32 207 001 **CONCETTO PILLAR TAP**  
**XS-SIZE**

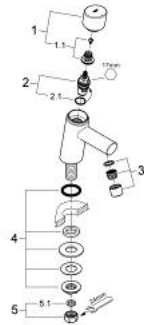


**PRODUCT DESCRIPTION**

- Colour: chrome
- single hole installation
- metal lever
- ceramic headparts 1/2", 90°
- GROHE LongLife finish
- GROHE EcoJoy - less water, perfect flow
- maximum flow rate (at 3 bar): 5 l/min
- SpeedClean Mousseur
- union nut 1/2" x 10,5 mm
- noise classification 1 in accordance with DIN4109



## 32 207 001 **CONCETTO PILLAR TAP** **XS-SIZE**



### **SPARE PARTS**, April 2010 – now

- 1: Handle (Spare part-nr. 48071000)
- 1.1: Replacement handle connection kit (Spare part-nr. 45186000)
  - 1.1.1: O-ring  $\varnothing 18.2 \times \varnothing 1.7$  (Spare part-nr. 0392400M)
- 2: Ceramic headpart, 1/2" (Spare part-nr. 45882000)
  - 2.1: O-ring  $\varnothing 18.2 \times \varnothing 1.7$  (Spare part-nr. 0392400M)
- 3: Mousseur (Spare part-nr. 13935000)
- 4: Shank fastening assembly (Spare part-nr. 45000000)
- 5: Coupling nut 1/2" x 10.5 mm (Spare part-nr. 1290100M)
  - 5.1: Fibre seal dia. 12x2 mm (Spare part-nr. 0138900M)