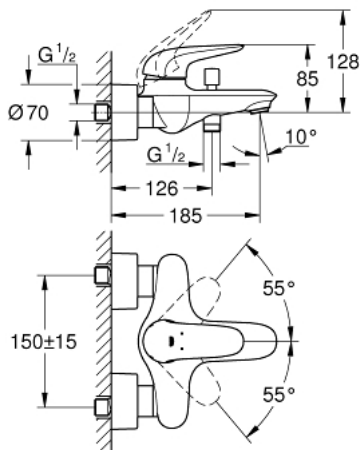


32 286 001 WAVE SINGLE-LEVER BATH/SHOWER MIXER

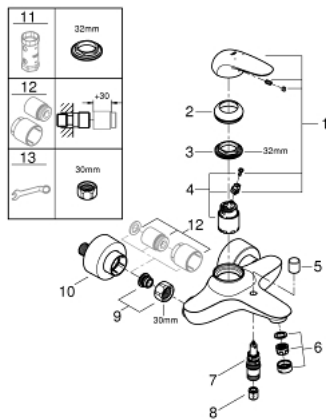


PRODUCT DESCRIPTION

- Colour: chrome
- wall mounted
- metal lever
- GROHE SilkMove 35 mm ceramic cartridge
- adjustable flow rate limiter
- GROHE LongLife finish
- automatic diverter: bath/shower
- shower outlet 1/2" with integrated non-return valve
- mousseur
- covered unions
- Protected against backflow



32 286 001 WAVE SINGLE-LEVER BATH/SHOWER MIXER



SPARE PARTS, February 2015 – now

- 1: Solid metal lever (Spare part-nr. 46954000)
- 2: Shield (Spare part-nr. 46436000)
- 3: Screw coupling (Spare part-nr. 46460000)
- 4: Cartridge (Spare part-nr. 46374000)
- 5: Diverter knob (Spare part-nr. 64309000)
- 6: Mousseur (Spare part-nr. 13952000)
- 7: Diverter (Spare part-nr. 65655000)
- 8: Non-return valve (Spare part-nr. 48276000)
- 9: Screw joint (Spare part-nr. 45044000)
- 10: S-union (Spare part-nr. 12693000)
- 11: Socket spanner (Spare part-nr. 19332000)*
- 12: Extension set 1/2\", 30 mm (Spare part-nr. 46238000)*
- 13: Special spanner (Spare part-nr. 19377000)*

* Optional accessories