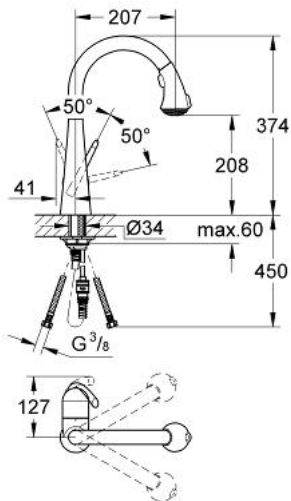


32 294 SD0 ZEDRA SINGLE-LEVER SINK MIXER 1/2"

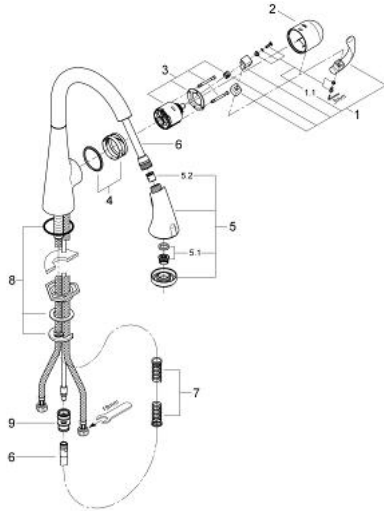


PRODUCT DESCRIPTION

- Colour: stainless steel
- single hole installation
- swivel tubular spout, swivel area 360°
- adjustable flow rate limiter
- Pull-Out spray for greater flexibility
- professional spray
- automatic returning
- integrated non-return valve
- Dual Spray - switch between mousseur and SpeedClean shower jet using diverter
- automatic reverse to mousseur
- flexible connection hoses
- rapid-installation-system
- Protected against backflow
- GROHE SilkMove 46 mm ceramic cartridge
- GROHE LongLife finish
- GROHE SuperSteel Infinity Finish
- GROHE RealSteel product material(stainless steel body)



32 294 SD0 ZEDRA SINGLE-LEVER SINK MIXER 1/2"



SPARE PARTS, August 2008 – now

- 1: Lever (Spare part-nr. 46654SD0)
- 1.1: Fixing set (Spare part-nr. 46310000)
- 2: Shield (Spare part-nr. 46655SD0)
- 3: Cartridge (Spare part-nr. 46048000)
- 4: guide and slide ring (Spare part-nr. 46632V00)
- 5: Pull-Out spray (Spare part-nr. 46173ND0)
- 5.1: Mousseur (Spare part-nr. 13952000)
- 5.2: Non-return valve (Spare part-nr. 08565000)
- 6: Metalflex hose (Spare part-nr. 46174000)
- 7: Compression spring (Spare part-nr. 07240000)
- 8: Shank mounting kit (Spare part-nr. 46345000)
- 9: Snap coupling (Spare part-nr. 46338000)