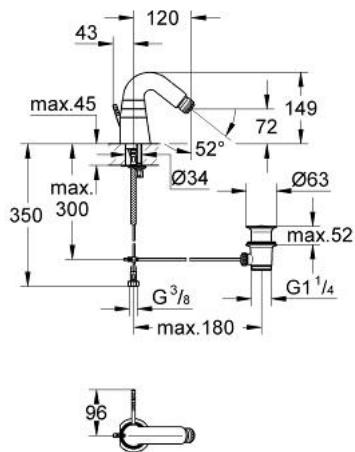


32 466 BK0 GROHE F1 SINGLE-HOLE BIDET MIXER

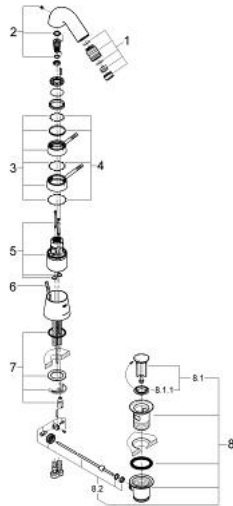


PRODUCT DESCRIPTION

- New A.C.T. cartridge
- adjusting lever with design knurling
- non swivel spout
- ball-joint mousseur
- 2 independent 1/2" ceramic headparts
- 180° angle
- right-closing
- pop-up waste set 1 1/4"
- flexible connection hoses



32 466 BK0 GROHE F1 SINGLE-HOLE BIDET MIXER



SPARE PARTS, January 2003 – now

- 1: Ball-joint Mousseur (Spare part-nr. 13978BK0)
- 2: Repl.kit f.cast spout (Spare part-nr. 45135000)
- 3: Lever Handle (Spare part-nr. 45157BK0)
- 4: Ball bearing (Spare part-nr. 45160000)
- 5: Cartridge (Spare part-nr. 45162000)
- 6: Pop-up rod (Spare part-nr. 45089BK0)
- 7: Shank mounting kit (Spare part-nr. 46438000)
- 8: Pop-up waste set 1 1/4" (Spare part-nr. 28910BK0)
- 8.1: Plug (Spare part-nr. 07182BK0)
- 8.1.1: Ball seal dia. 9x6.8 mm (Spare part-nr. 0506500M)
- 8.2: Eccentric rod (Spare part-nr. 07052000)