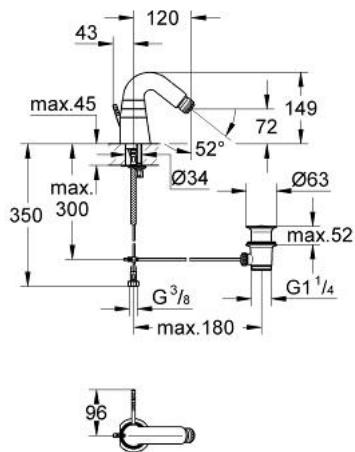


## 32 466 BK0 GROHE F1 SINGLE-HOLE BIDET MIXER 1/2"

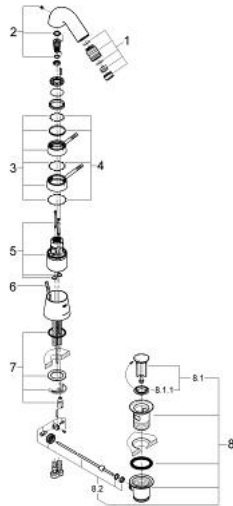


### PRODUCT DESCRIPTION

- operating concept A.C.T. (controlling the headpart using axial adjusting levers one over the other)
- adjusting lever with design knurling
- non swivel spout
- ball-joint mousseur
- two inserted 1/2" ceramic headparts
- 180° angle
- right-closing
- pop-up waste set 1 1/4"
- flexible connection hoses



## 32 466 BK0 GROHE F1 SINGLE-HOLE BIDET MIXER 1/2"



### SPARE PARTS, 1月 2003 – now

- 1: Ball joint mousseur (Spare part-nr. 13978BK0)
- 2: Spout connection set (Spare part-nr. 45135000)
- 3: Lever handle (Spare part-nr. 45157BK0)
- 4: Ball bearing (Spare part-nr. 45160000)
- 5: Cartridge (Spare part-nr. 45162000)
- 6: Pop-up rod (Spare part-nr. 45089BK0)
- 7: Shank mounting kit (Spare part-nr. 46438000)
- 8: Waste set 1 1/4" (Spare part-nr. 28910BK0)
- 8.1: Plug (Spare part-nr. 07182BK0)
- 8.1.1: Seal (Spare part-nr. 0506500M)
- 8.2: Eccentric rod (Spare part-nr. 07052000)