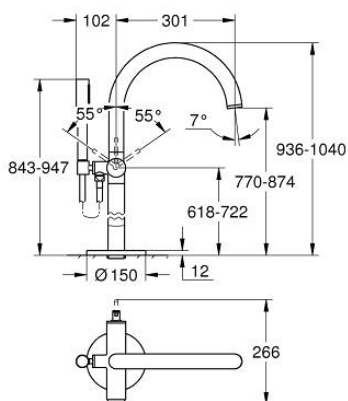


32 653 003 ATRIO SINGLE-LEVER BATH MIXER FLOOR MOUNTED



PRODUCT DESCRIPTION

- Colour: chrome
- for use with rough-in set 45 984
- without floor installation plate
- GROHE SilkMove 35 mm ceramic cartridge
- with temperature limiter
- GROHE LongLife finish
- automatic diverter: bath/shower
- spout with mousseur
- projection 301 mm
- integrated non-return valve in shower outlet 1/2"
- with shower holder
- hand shower Rainshower Aqua Stick (26 465)
- Silverflex shower hose 1250 mm
- Protected against backflow
- minimum pressure 1,0 bar



32 653 003 ATRIO SINGLE-LEVER BATH MIXER FLOOR MOUNTED

SPARE PARTS, April 2017 – now

- 1: Cartridge (Spare part-nr. 46374000)
- 2: Diverter (Spare part-nr. 48405000)
- 3: Non-return valve (Spare part-nr. 08565000)
- 4: Mousseur (Spare part-nr. 13926000)
- 5: Dirt strainer (Spare part-nr. 0700200M)
- 6: Socket spanner (Spare part-nr. 19332000)*

* Optional accessories

