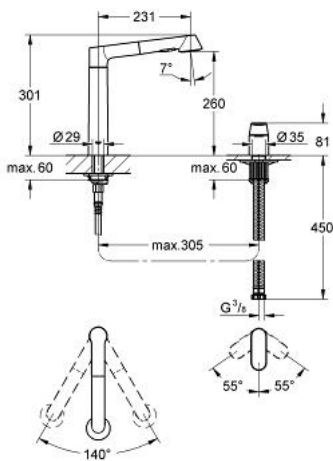


32 894 000 K7 SINGLE-LEVER SINK MIXER 1/2"

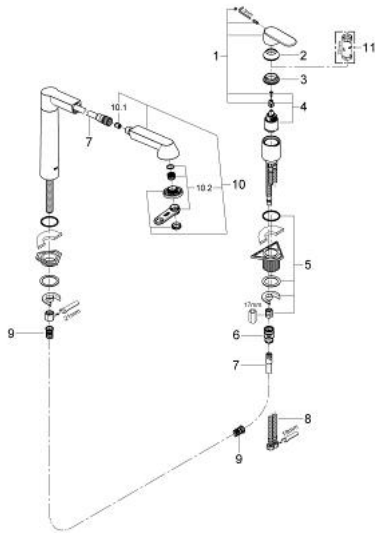


PRODUCT DESCRIPTION

- Colour: chrome
- two hole installation
- GROHE SilkMove 35 mm ceramic cartridge
- GROHE LongLife finish
- metal lever
- lever mountable left- or right-hand side
- adjustable flow rate limiter
- pull-out spray
- diverter: mousseur/shower jet
- automatic reverse to mousseur
- swivelling cast spout
- swivel area 140°
- flexible connection hoses
- rapid-installation-system
- Protected against backflow



32 894 000 K7 SINGLE-LEVER SINK MIXER 1/2"



SPARE PARTS, October 2009 – now

- 1: Lever (Spare part-nr. 46729000)
- 2: Shield (Spare part-nr. 46116000)
- 3: Ring (Spare part-nr. 04456000)
- 4: Cartridge (Spare part-nr. 46374000)
- 5: Shank mounting kit (Spare part-nr. 46346000)
- 6: Snap coupling (Spare part-nr. 46338000)
- 7: Shower hose (Spare part-nr. 46712000)
- 8: Connection hose (Spare part-nr. 46322000)
- 9: Compression spring (Spare part-nr. 07240000)
- 10: Pull-Out spray (Spare part-nr. 64156000)
- 10.1: Non-return valve (Spare part-nr. 08565000)
- 10.2: Mousseur (Spare part-nr. 46711000)
- 11: Socket spanner (Spare part-nr. 19332000)*

* Optional accessories