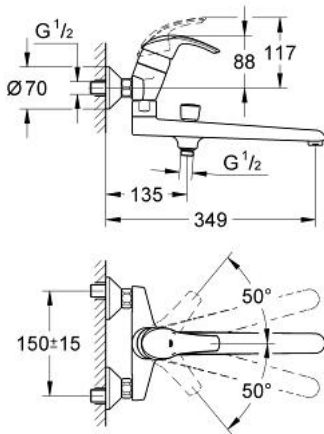


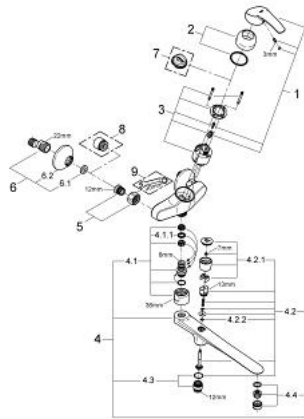
33 116 001 EUROSMART MULTI-PURPOSE MIXER



PRODUCT DESCRIPTION

- Colour: chrome
- wall mounted
- metal lever
- GROHE SilkMove 46 mm ceramic cartridge
- GROHE LongLife finish
- adjustable flow rate limiter
- adjustable minimum flow rate approx. 2.5 l/min
- automatic diverter: bath/shower
- spout 285 mm
- S-unions
- metal wall escutcheons
- optional temperature limiter ref. no. 46 308
- noise classification 1 in accordance with DIN4109

33 116 001 EUROSMART MULTI-PURPOSE MIXER



SPARE PARTS, December 2012 – now

- 1: Lever (Spare part-nr. 46561000)
- 2: Shield (Spare part-nr. 46242000)
- 3: Cartridge (Spare part-nr. 46048000)
- 4: Cast swivel spout (Spare part-nr. 13146000)
- 4.1: Repl.kit f.cast spout (Spare part-nr. 46539000)
- 4.1.1: Sealing washer (Spare part-nr. 0128500M)
- 4.2: Diverter (Spare part-nr. 46056000)
- 4.2.1: Diverter knob (Spare part-nr. 07526000)
- 4.2.2: O-ring $\varnothing 6 \times \varnothing 2$ (Spare part-nr. 0128300M)
- 4.2.2: O-ring $\varnothing 6 \times \varnothing 2$ (Spare part-nr. 0881100M)
- 4.3: Outlet nipple (Spare part-nr. 47355000)
- 4.4: Mousseur (Spare part-nr. 13929000)
- 5: Screw joint (Spare part-nr. 45044000)
- 6: S-union, 1/2" x 3/4" for Atlanta (Spare part-nr. 12006000)
- 6.1: Ball seal dia. 9x6.8 mm (Spare part-nr. 0138600M)
- 6.2: Escutcheon (Spare part-nr. 0221000M)
- 7: Temperature limiter (Spare part-nr. 46308000)*
- 8: Extension 3/4", 20 mm (Spare part-nr. 0713000M)*
- 9: Special spanner (Spare part-nr. 19377000)*

* Optional accessories