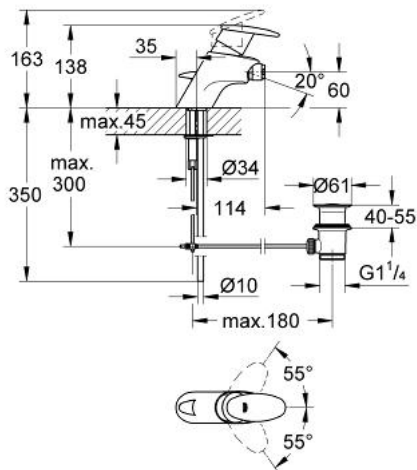


33 227 IP0 TARON SINGLE-LEVER BIDET MIXER 1/2"

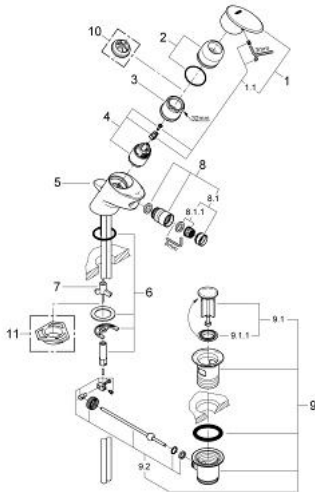


PRODUCT DESCRIPTION

- Colour: chrome/matt chrome
- single hole installation
- GROHE SilkMove 35 mm ceramic cartridge
- adjustable flow rate limiter
- ball-joint mousseur
- pop-up waste set 1 1/4"
- copper pipes
- rapid installation system
- optional temperature limiter ref. no. 46 375
- GROHE LongLife finish



33 227 IP0 TARON SINGLE-LEVER BIDET MIXER 1/2"



SPARE PARTS, 1月 2002 – now

- 1: Lever (Spare part-nr. 46371IP0)
 - 1.1: Fixing set (Spare part-nr. 46372V00)
 - 2: Cap (Spare part-nr. 46373000)
 - 3: Ring (Spare part-nr. 03425000)
 - 4: Cartridge (Spare part-nr. 46374000)
 - 5: Pop-up rod (Spare part-nr. 46376000)
 - 6: Shank mounting kit (Spare part-nr. 46122000)
 - 7: Compensation ring (Spare part-nr. 03435000)
 - 8: Ball joint mousseur (Spare part-nr. 13912000)
 - 8.1: Mousseur (Spare part-nr. 13929000)
 - 8.1.1: Replacement flow control M22x1 and M24x1 (Spare part-nr. 45002000)
 - 9: Waste set 1 1/4" (Spare part-nr. 28910000)
 - 9.1: Plug (Spare part-nr. 07182000)
 - 9.2: Eccentric rod (Spare part-nr. 07052000)
 - 10: Temperature limiter (Spare part-nr. 46375000)*
 - 11: Support plate (Spare part-nr. 05334000)*
- * Optional accessories