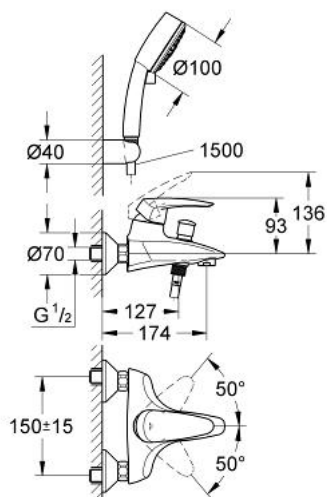


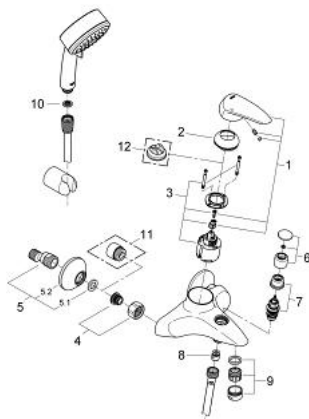
33 395 001 EURODISC SINGLE-LEVER BATH/SHOWER MIXER



PRODUCT DESCRIPTION

- Colour: chrome
- wall mounted
- metal lever
- GROHE SilkMove 46 mm ceramic cartridge
- GROHE LongLife finish
- adjustable flow rate limiter
- adjustable minimum flow rate approx. 2.5 l/min
- automatic diverter: bath/shower
- integrated non-return valve in shower outlet 1/2"
- mousseur
- S-unions
- metal wall escutcheons
- optional temperature limiter ref. no. 46 375
- with shower set:
- consists of:
- hand shower (28 578)
- wall shower holder 28 605
- Relaxaflex-hose 1500 mm 28 151
- Protected against backflow
- noise classification 1 in accordance with DIN4109

33 395 001 EURODISC SINGLE-LEVER BATH/SHOWER MIXER



SPARE PARTS, February 2007 – now

- 1: Lever (Spare part-nr. 46568000)
- 2: Shield (Spare part-nr. 46570000)
- 3: Cartridge (Spare part-nr. 46048000)
- 4: Screw joint (Spare part-nr. 45044000)
- 5: S-union (Spare part-nr. 12075000)
- 5.1: Ball seal dia. 9x6.8 mm (Spare part-nr. 0138600M)
- 5.2: Escutcheon (Spare part-nr. 0221000M)
- 6: Diverter knob (Spare part-nr. 46571000)
- 7: Diverter (Spare part-nr. 08915000)
- 8: Non-return valve (Spare part-nr. 08565000)
- 9: Mousseur (Spare part-nr. 13927000)
- 10: Dirt strainer (Spare part-nr. 0700200M)
- 11: Extension 3/4", 20 mm (Spare part-nr. 0713000M)*
- 12: Temperature limiter (Spare part-nr. 46375000)*

* Optional accessories