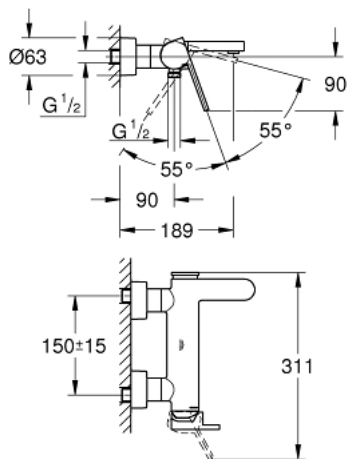


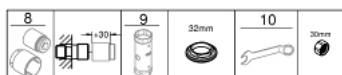
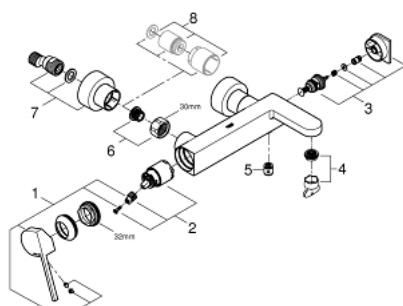
33 553 003 GROHE PLUS SINGLE-LEVER BATH/SHOWER MIXER



PRODUCT DESCRIPTION

- Colour: chrome
- wall mounted
- metal lever
- GROHE SilkMove 35 mm ceramic cartridge
- with temperature limiter
- GROHE LongLife finish
- automatic diverter: bath/shower
- laminar mousseur
- shower outlet 1/2"
- integrated non-return valve
- covered S-unions
- Protected against backflow
- minimum pressure 1,0 bar

33 553 003 GROHE PLUS SINGLE-LEVER BATH/SHOWER MIXER



SPARE PARTS, August 2018 – now

- 1: Lever (Spare part-nr. 48450000)
- 2: Cartridge (Spare part-nr. 46374000)
- 3: Diverter (Spare part-nr. 48451000)
- 4: Mousseur (Spare part-nr. 48009000)
- 5: Non-return valve (Spare part-nr. 08565000)
- 6: Screw joint (Spare part-nr. 45044000)
- 7: S-union (Spare part-nr. 48453000)
- 8: Extension set 1/2\", 30 mm (Spare part-nr. 46238000)*
- 9: Socket spanner (Spare part-nr. 19332000)*
- 10: Special spanner (Spare part-nr. 19377000)*

* Optional accessories