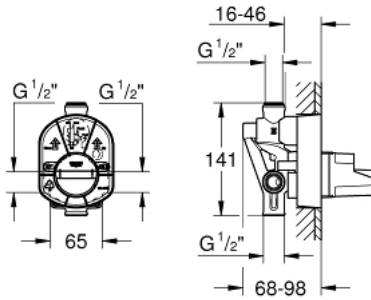


33 961 000 SINGLE-LEVER MIXER, CONCEALED BODY

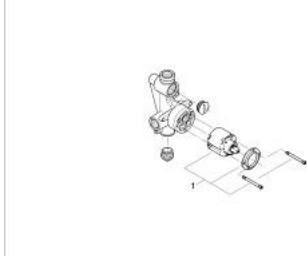


PRODUCT DESCRIPTION

- for bath and shower
- without finishing trim set
- wall installation
- GROHE SilkMove 46 mm ceramic cartridge
- adjustable flow rate limiter
- outlet above and below 1/2"
- plug included
- automatic diverter: bath/shower
- right hand thread connection sided
- installation system for light wall construction



33 961 000 **SINGLE-LEVER MIXER, CONCEALED BODY**



SPARE PARTS, January 1994 – now

1: Cartridge (Spare part-nr. 46048000)