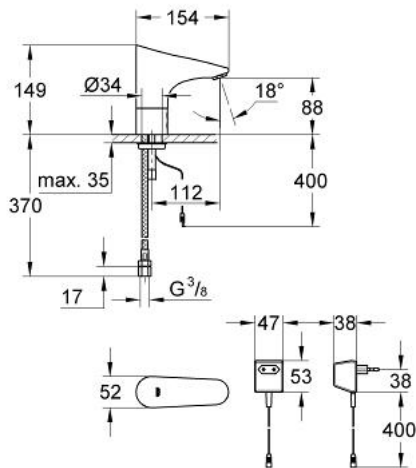


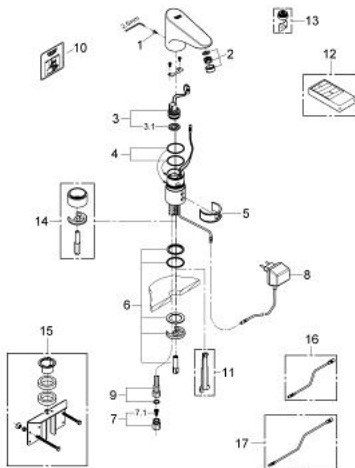
36 016 000 EUROPLUS E INFRARED ELECTRONIC BASIN MIXER 1/2" WITHOUT MIXING DEVICE



PRODUCT DESCRIPTION

- Colour: chrome
- with plug transformer 230V, 50 Hz, 3,2VA
- single hole installation
- rapid-installation-system
- safety stop after 60 sec.
- adjustable from 2 to 420 sec
- Functions to activate with remote control 36 206:
- automatic flushing after 1 or 3 days without use
- Thermal disinfection for 3,5 or 11 min
- flow limiter 6 l/min
- flexible connecting hose
- non-return valve
- dirt strainer
- CE approved
- type of protection faucet IP 59K
- type of protection plug transformer IP 44
- noise classification 1 in accordance with DIN4109
- GROHE EcoJoy - less water, perfect flow
- GROHE LongLife finish
- for cold or premixed water

36 016 000 EUROPLUS E INFRARED ELECTRONIC BASIN MIXER 1/2" WITHOUT MIXING DEVICE



SPARE PARTS, June 2008 – now

- 1: Screw (Spare part-nr. 4283100M)
 - 2: Mousseur (Spare part-nr. 42832000)
 - 3: Solenoid valve (Spare part-nr. 43066000)
 - 3.1: Dirt Strainer (Spare part-nr. 42798000)
 - 4: Seat washer (Spare part-nr. 4283600M)
 - 5: Cleaning clip (Spare part-nr. 42837000)
 - 6: Fixing set (Spare part-nr. 42841000)
 - 7: Dirt Strainer (Spare part-nr. 43293000)
 - 7.1: Dirt Strainer (Spare part-nr. 4329100M)
 - 8: Plug transformer (Spare part-nr. 43016000)
 - 9: Flexible connection hose, 470 (Spare part-nr. 45484000)
 - 10: Sticker with pictograph (Spare part-nr. 4217700M)
 - 11: Disassembling key
(for Relexa Plus, Relexa Cosmopolitan face plate) (Spare part-nr. 19132000)*
 - 12: Infra-red remote control (Spare part-nr. 36206000)*
 - 13: Mousseur (Spare part-nr. 36133000)*
 - 14: Socket (Spare part-nr. 36210000)*
 - 15: Rotation lock (Spare part-nr. 42919000)*
 - 16: Extension cable (Spare part-nr. 36221000)*
 - 17: Extension cable (Spare part-nr. 36222000)*
- * Optional accessories