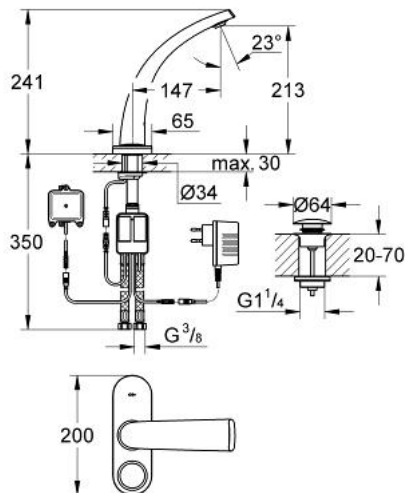


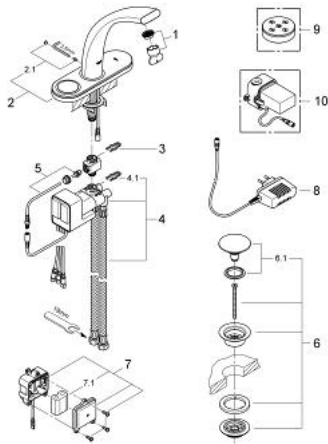
36 080 000 GROHE ONDUS DIGITAL BASIN MIXER



PRODUCT DESCRIPTION

- Colour: chrome
- with display
- single hole installation
- advanced touch operating panel with backlit icons
- integrated digital display and intuitive menu navigation
- function unit
- integrated temperature sensor
- plug power supply 230 V AC / 6 V DC
- integrated battery back up
- 6 V lithium battery, type CR-P2
- battery status indicator on display
- integrated mousseur
- push-open waste set 1 1/4"
- flexible connection hoses
- digital flow limiter
- programmable, automatic safety shut-off (with default setting)
- CE approved
- type of protection:
- faucet IP 66
- plug power supply IP 40
- battery unit IP 66
- operating panel IP 69K
- upgrade option with pre set panel 45 983

36 080 000 GROHE ONDUS DIGITAL BASIN MIXER



SPARE PARTS, 5月 2008 – now

- 1: Mousseur (Spare part-nr. 48009000)
- 2: Operating panel (Spare part-nr. 45989KS0)
- 2.1: Fixing set (Spare part-nr. 48003000)
- 3: Fixing clamp (Spare part-nr. 6554100M)
- 4: Mixing device (Spare part-nr. 45990000)
- 4.1: Fixing clamp (Spare part-nr. 6554100M)
- 5: Temperature sensor (Spare part-nr. 42349000)
- 6: Waste set with push-open plug (Spare part-nr. 65807000)
- 6.1: Nipple (Spare part-nr. 45986000)
- 7: Battery housing (Spare part-nr. 42741000)
- 7.1: Battery (Spare part-nr. 42886000)
- 8: Plug power supply 230 V (Spare part-nr. 65790000)
- 9: Pre set panel (Spare part-nr. 45983KS0)*
- 10: Plug power supply 110-240 V (Spare part-nr. 36078000)*

* Optional accessories