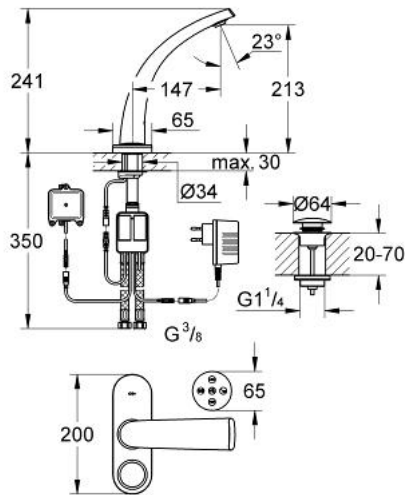


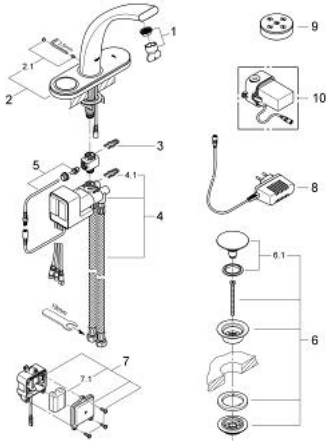
36 082 LS0 GROHE ONDUS DIGITAL BASIN MIXER



PRODUCT DESCRIPTION

- Colour: moon white
- with display and pre set panel
- single hole installation
- advanced touch operating panel with backlit icons
- integrated digital display and intuitive menu navigation
- wireless sensual touch pre set panel
- with long life 3V lithium battery CR-2032
- 2 personalized pre set programs
- 3 personalized pre set programs for face rinse, hand wash and teeth brushing
- function unit
- integrated temperature sensor
- plug power supply 230 V AC / 6 V DC
- integrated battery back up
- 6V lithium battery, type CR-P2
- battery status indicator on display
- integrated mousseur
- Push-open waste set 1 1/4"
- flexible connection hoses
- digital flow limiter
- programmable, automatic safety shut-off (with default setting)
- CE approved
- type of protection:
- faucet IP 66
- plug power supply IP 40
- battery unit IP 66
- operating panel IP 69K
- pre set panel IP 57
- to be used with
- 36 078

36 082 LS0 GROHE ONDUS DIGITAL BASIN MIXER



SPARE PARTS, May 2008 – now

- 1: Mousseur (Spare part-nr. 48009000)
 - 2: operating panel (Spare part-nr. 45989LS0)
 - 2.1: Fixing set (Spare part-nr. 48003000)
 - 3: Fixing clamp (Spare part-nr. 6554100M)
 - 4: mixing device (Spare part-nr. 45990000)
 - 4.1: Fixing clamp (Spare part-nr. 6554100M)
 - 5: Temperature sensor (Spare part-nr. 42349000)
 - 6: Pop-up waste set (Spare part-nr. 65807LS0)
 - 6.1: Nipple (Spare part-nr. 45986LS0)
 - 7: Battery housing with battery (Spare part-nr. 42741000)
 - 7.1: Battery (Spare part-nr. 42886000)
 - 8: Plug power supply 230 V (Spare part-nr. 65790000)
 - 9: Pre set panel (Spare part-nr. 45983LS0)
 - 10: Plug power supply 110-240 V (Spare part-nr. 36078000)*
- * Optional accessories