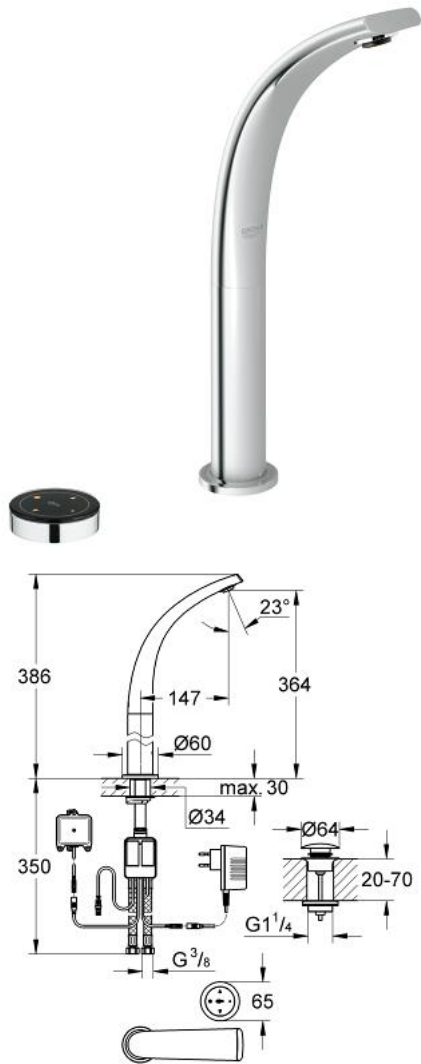


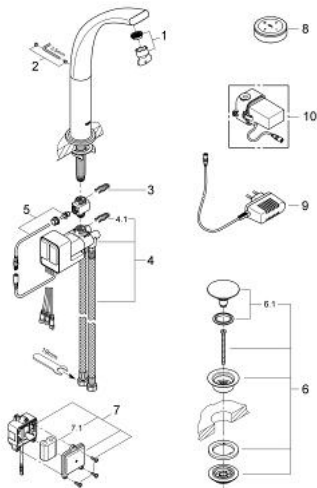
36 083 000 GROHE ONDUS DIGITAL BASIN MIXER



PRODUCT DESCRIPTION

- Colour: chrome
- for free standing basins
- single hole installation
- wireless sensual touch operating panel
- with long life 3V lithium battery CR-2032
- function unit
- plug power supply 230 V AC / 6 V DC
- integrated battery back up
- 6V lithium battery, type CR-P2
- integrated mousseur
- Push-open waste set 1 1/4"
- flexible connection hoses
- flow limiter 6 l/min
- programmable, automatic safety shut-off (with default setting)
- type of protection:
- CE approved
- plug power supply IP 40
- faucet IP 66
- battery unit IP 66
- operating panel IP 57

36 083 000 GROHE ONDUS DIGITAL BASIN MIXER



SPARE PARTS, May 2008 – now

- 1: Mousseur (Spare part-nr. 48009000)
 - 2: Fixing set (Spare part-nr. 48003000)
 - 3: Fixing clamp (Spare part-nr. 6554100M)
 - 4: mixing device (Spare part-nr. 45990000)
 - 4.1: Fixing clamp (Spare part-nr. 6554100M)
 - 5: Temperature sensor (Spare part-nr. 42349000)
 - 6: Pop-up waste set (Spare part-nr. 65807000)
 - 6.1: Nipple (Spare part-nr. 45986000)
 - 7: Battery housing with battery (Spare part-nr. 42741000)
 - 7.1: Battery (Spare part-nr. 42886000)
 - 8: operating panel (Spare part-nr. 65724KS0)
 - 9: Plug power supply 230 V (Spare part-nr. 65790000)
 - 10: Plug power supply 110-240 V (Spare part-nr. 36078000)*
- * Optional accessories