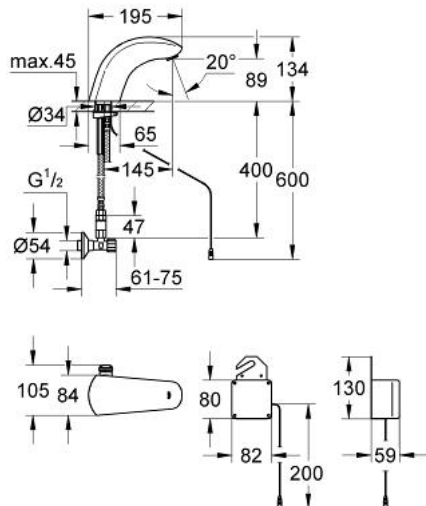


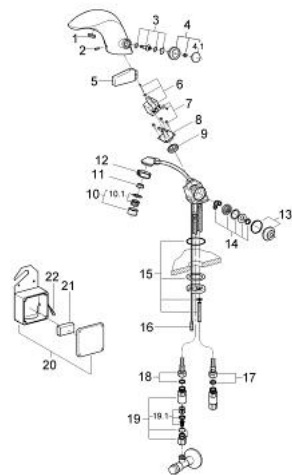
## 36 145 000 PULSOMAT SURF INFRA-RED ELECTRONIC BASIN MIXER 1/2"



### PRODUCT DESCRIPTION

- Colour: chrome
- battery supply 9 V
- CE approved
- single hole installation
- tap hole diameter 35 mm
- solenoid valve
- flow limiter 6 l/min
- 2 flexible hoses
- dirt strainer
- non return valve
- 2 angle valves
- housing with 9 V monoblock battery and battery warning
- GROHE LongLife finish
- type of protection IP 44

## 36 145 000 PULSOMAT SURF INFRA-RED ELECTRONIC BASIN MIXER 1/2"



### SPARE PARTS, 1月 1995 – now

- 1: Cover cap (Spare part-nr. 43412000)
- 2: Screw (Spare part-nr. 43093000)
- 3: Shaft (Spare part-nr. 43049000)
- 4: Mixing ring (Spare part-nr. 43096P00)
- 4.1: Cover cap (Spare part-nr. 43410000)
- 5: Electronic (Spare part-nr. 43674000)
- 6: Magnetic coil (Spare part-nr. 43840000)
- 7: Screws (Spare part-nr. 4308600M)
- 8: Headpart for solenoid valve (Spare part-nr. 43839000)
- 9: Membrane (Spare part-nr. 43737000)
- 10: Mousseur (Spare part-nr. 13929000)
- 10.1: Replacement flow control M22x1 and M24x1 (Spare part-nr. 45002000)
- 11: Flow limiter (Spare part-nr. 43284000)
- 12: Threaded ring (Spare part-nr. 43297000)
- 13: Cover (Spare part-nr. 43249000)
- 14: Cartridge (Spare part-nr. 43460000)
- 15: Fixing set (Spare part-nr. 43039000)
- 16: Cable (Spare part-nr. 43698000)
- 17: Hose cold (Spare part-nr. 43372000)
- 18: Hose warm (Spare part-nr. 43373000)
- 19: Non-return valve (Spare part-nr. 43431000)
- 19.1: Non-return valve (Spare part-nr. 42842000)
- 20: Battery body (Spare part-nr. 43672000)
- 21: Battery (Spare part-nr. 43823000)
- 22: Cable (Spare part-nr. 43683000)