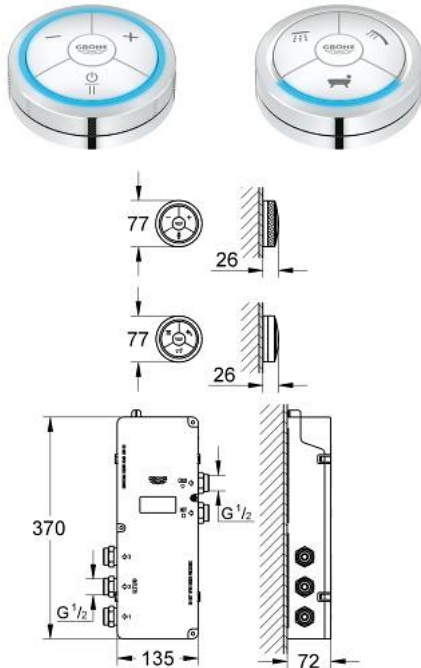


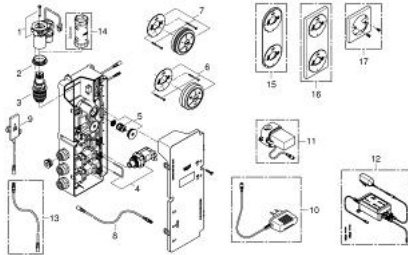
36 289 000 F-DIGITAL DIGITAL CONTROLLER AND DIGITAL DIVERTER FOR BATH



PRODUCT DESCRIPTION

- Colour: chrome
- including digital thermostat unit
- Digital Controller - intuitive multifunctional operating unit
 - wireless technology
 - temperature and flow control
 - pause function
 - memory function
 - LED ring incl. warming-up function: visual feedback when preferred temperature is reached
- digital diverter for bath
 - Diverter: head-, hand shower and bath spout
 - LED ring (indication of outlet)
- digital thermostat unit (concealed body)
 - warm/cold-supplies 1/2"
 - 3 outlets 1/2" bath diverter
- default setting configurable during installation:
 - automatic safety shut-off after 20 min
 - GROHE SafeStop at 38°C
- transceiver unit for Digital Controller and digital thermostat unit incl. cable 3 m
- GROHE TurboStat digital controlled compact cartridge with wax thermoelement
- GROHE LongLife finish
- GROHE EcoJoy - Less water, perfect flow
- requires:
 - built-in power supply 36 078 000 or plug power supply 65 790 000
 - min. recommended pressure 1.0 bar

36 289 000 F-DIGITAL DIGITAL CONTROLLER AND DIGITAL DIVERTER FOR BATH



SPARE PARTS, 3月 2015 – now

- 1: Motor (Spare part-nr. 42337000)
- 2: Fitting ring (Spare part-nr. 47765000)
- 3: Thermostatic compact cartridge 3/4" (Spare part-nr. 47881000)
- 4: Solenoid valve (Spare part-nr. 42340000)
- 5: Non-return valve (Spare part-nr. 47753000)
- 6: Remote control (Spare part-nr. 48114000)
- 7: Digital controller
Remote controller for bath or shower (Spare part-nr. 36309000)
- 8: Connection wire (Spare part-nr. 47727000)
- 9: Transceiver (Spare part-nr. 36356000)
- 10: Plug power supply 230 V (Spare part-nr. 65790000)*
- 11: Plug power supply 110-240 V (Spare part-nr. 36078000)*
- 12: Uninterruptible power supply (Spare part-nr. 36394000)*
- 13: Connection wire (Spare part-nr. 65815000)*
- 14: Socket spanner (Spare part-nr. 19332000)*
- 15: Holder plate for Digital Controller &
Digital Diverter (Spare part-nr. 40479000)*
- 16: Holder plate for Digital Controller &
Digital Diverter (Spare part-nr. 40548000)*
- 17: Holder plate for Digital Controller (Spare part-nr. 40710000)*

* Optional accessories