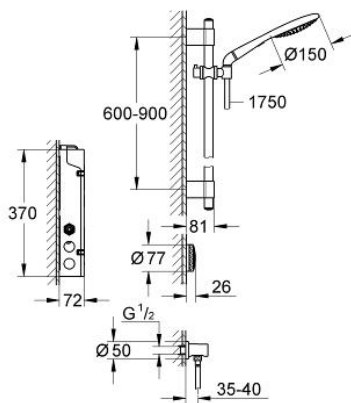


## 36 298 000 RAINSHOWER SOLO F-DIGITAL SHOWER SET

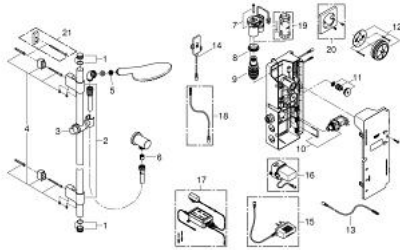


### PRODUCT DESCRIPTION

- Colour: chrome
- including digital thermostat unit
- - Temperature and flow control
- - Memory-function
- - LED-ring
- Digital mixing device
- - digital controlled valves
- - LED ring incl. warming-up function: visual feedback when preferred temperature is reached
- digital thermostat unit (concealed body)
- - warm/cold-supplies 1/2"
- - 1 outlet 1/2"
- Rainshower Solo shower set (27 273 001)
- Rainshower wall union /2" (27 057 000)
- transceiver unit for Digital Controller and Digital thermostat unit incl. cable 3 m
- GROHE TurboStat digital controlled compact cartridge with wax thermoelement
- default setting configurable during installation:
- - warm/cold-supplies 1/2"- 3 outlets 1/2"
- GROHE SafeStop safety button at 38°C
- GROHE LongLife finish
- GROHE EcoJoy - less water, perfect flow
- requires:
- built-in power supply 36 078 000 or plug power supply 65 790 000
- minimum pressure 1,0 bar



## 36 298 000 RAINSHOWER SOLO F-DIGITAL SHOWER SET



### SPARE PARTS, March 2015 – now

- 1: Cap (Spare part-nr. 45922000)
  - 2: Outlet shower holder (Spare part-nr. 0666700M)
  - 3: Sliding piece (Spare part-nr. 06765000)
  - 4: Fixing set (Spare part-nr. 45403000)
  - 5: Dirt strainer (Spare part-nr. 0700200M)
  - 6: Non-return valve (Spare part-nr. 08565000)
  - 7: Motor (Spare part-nr. 42337000)
  - 8: Fitting ring (Spare part-nr. 47765000)
  - 9: Thermostatic compact cartridge 3/4" (Spare part-nr. 47881000)
  - 10: Solenoid valve (Spare part-nr. 42340000)
  - 11: Non-return valve (Spare part-nr. 47753000)
  - 12: Digital controller  
Remote controller for bath or shower (Spare part-nr. 36309000)
  - 13: connection wire (Spare part-nr. 47727000)
  - 14: Transceiver (Spare part-nr. 36356000)
  - 15: Plug power supply 230 V (Spare part-nr. 65790000)\*
  - 16: Plug power supply 110-240 V (Spare part-nr. 36078000)\*
  - 17: Uninterruptible power supply (Spare part-nr. 36394000)\*
  - 18: connection wire (Spare part-nr. 65815000)\*
  - 19: Socket spanner (Spare part-nr. 19332000)\*
  - 20: Holder plate for Digital Controller (Spare part-nr. 40710000)\*
  - 21: Compensation disc (Spare part-nr. 45914XE0)\*
- \* Optional accessories