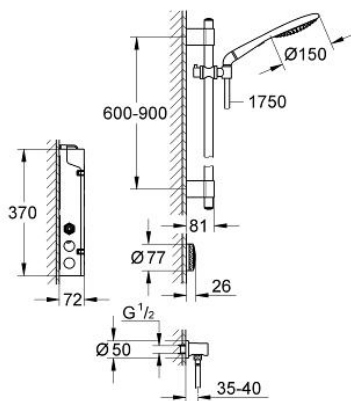


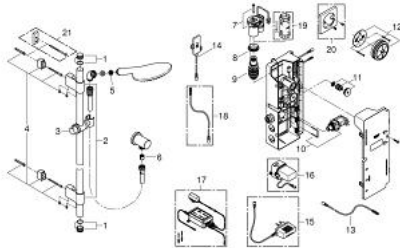
36 298 000 RAINSHOWER SOLO F-DIGITAL SHOWER SET



PRODUCT DESCRIPTION

- Colour: chrome
- including digital thermostat unit
- Digital Controller - intuitive multifunctional operating unit
- - wireless technology
- - temperature and flow control
- - pause function
- - memory function
- - LED ring incl. warming-up function: visual feedback when preferred temperature is reached
- digital thermostat unit (concealed body)
- - warm/cold-supplies 1/2"
- - 1 outlet 1/2"
- Rainshower Solo shower set (27 273 001)
- Rainshower wall union 1/2" (27 057 000)
- transceiver unit for Digital Controller and digital thermostat unit incl. cable 3 m
- GROHE TurboStat digital controlled compact cartridge with wax thermoelement
- default setting configurable during installation:
- - automatic safety shut-off after 20 min
- GROHE SafeStop at 38°C
- GROHE LongLife finish
- GROHE EcoJoy - Less water, perfect flow
- requires:
- built-in power supply 36 078 000 or plug power supply 65 790 000
- min. recommended pressure 1.0 bar

36 298 000 RAINSHOWER SOLO F-DIGITAL SHOWER SET



SPARE PARTS, 3月 2015 – now

- 1: Cover cap (Spare part-nr. 45922000)
- 2: Shower rail holder (Spare part-nr. 0666700M)
- 3: Glide element (Spare part-nr. 06765000)
- 4: Fixing set (Spare part-nr. 45403000)
- 5: Dirt strainer (Spare part-nr. 0700200M)
- 6: Non-return valve (Spare part-nr. 08565000)
- 7: Motor (Spare part-nr. 42337000)
- 8: Fitting ring (Spare part-nr. 47765000)
- 9: Thermostatic compact cartridge 3/4" (Spare part-nr. 47881000)
- 10: Solenoid valve (Spare part-nr. 42340000)
- 11: Non-return valve (Spare part-nr. 47753000)
- 12: Digital controller
Remote controller for bath or shower (Spare part-nr. 36309000)
- 13: Connection wire (Spare part-nr. 47727000)
- 14: Transceiver (Spare part-nr. 36356000)
- 15: Plug power supply 230 V (Spare part-nr. 65790000)*
- 16: Plug power supply 110-240 V (Spare part-nr. 36078000)*
- 17: Uninterruptible power supply (Spare part-nr. 36394000)*
- 18: Connection wire (Spare part-nr. 65815000)*
- 19: Socket spanner (Spare part-nr. 19332000)*
- 20: Holder plate for Digital Controller (Spare part-nr. 40710000)*
- 21: Compensation disc (Spare part-nr. 45914XE0)*

* Optional accessories