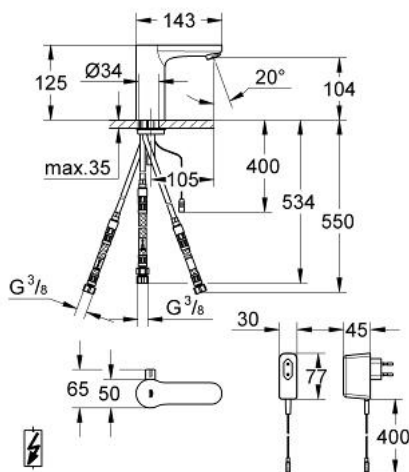


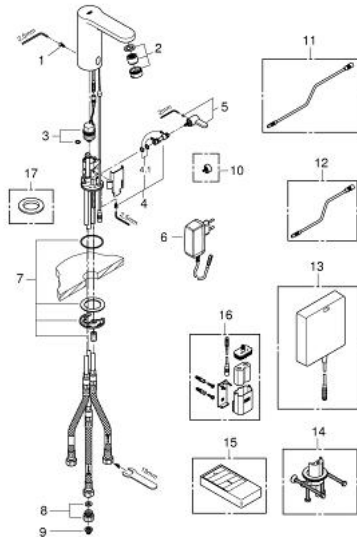
36 324 000 EUROSMART COSMOPOLITAN E INFRA-RED ELECTRONIC BASIN MIXER WITH MIXING DEVICE AND ADJUSTABLE TEMPERATURE LIMITER



PRODUCT DESCRIPTION

- Colour: chrome
- for open water heater
- with plug transformer 100-230 V AC, 50-60 Hz, 6 V DC
- with integrated solenoid valve
- single hole installation
- mixing device with adjustable hot water limiter
- rapid-installation-system
- 7 pre-set programs:
- with 24/72 hours autoflush
- time or user dependent
- with cleaning mode
- safety stop after 60 sec.
- additional functions by remote control:
- adjustable flow time
- adjustable reflection range by remote
- activation of thermal disinfection for 3.5 or 11 min by hand
- fixed built-in static flow limiter on the hose connection
- flexible connecting hose
- non-return valve
- dirt strainers
- noise classification 1 in accordance with DIN4109
- type of protection faucet IP 59K
- CE approved
- GROHE EcoJoy - less water, perfect flow
- GROHE LongLife finish
- minimum pressure 1,0 bar

36 324 000 EUROSMART COSMOPOLITAN E INFRA-RED ELECTRONIC BASIN MIXER WITH MIXING DEVICE AND ADJUSTABLE TEMPERATURE LIMITER



SPARE PARTS, April 2014 – now

- 1: Screw (Spare part-nr. 4283100M)
- 2: Flow straightener (Spare part-nr. 46162000)
- 3: Solenoid valve (Spare part-nr. 42399000)
- 4: Mixer spindle (Spare part-nr. 42402000)
- 4.1: Seat washer (Spare part-nr. 4284000M)
- 5: mixing device (Spare part-nr. 42401000)
- 5.1: Seat washer (Spare part-nr. 4284000M)
- 6: Mains adaptor (Spare part-nr. 42388000)
- 7: Mounting set (Spare part-nr. 42400000)
- 8: Adapter with flow rate limiter (Spare part-nr. 42255000)
- 9: Filter (Spare part-nr. 4241300M)
- 10: Security cover cap (Spare part-nr. 42408000)*
- 11: Extension cable (Spare part-nr. 36341000)*
- 12: Extension cable (Spare part-nr. 36340000)*
- 13: Switch-mode power supply (Spare part-nr. 36338000)*
- 14: Rotation lock (Spare part-nr. 36276000)*
- 15: Infra-red remote control (Spare part-nr. 36206000)*
- 16: Battery housing with battery (Spare part-nr. 42393000)*
- 17: Escutcheon (Spare part-nr. 36370000)*

* Optional accessories