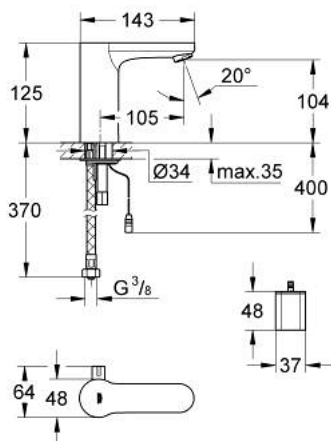


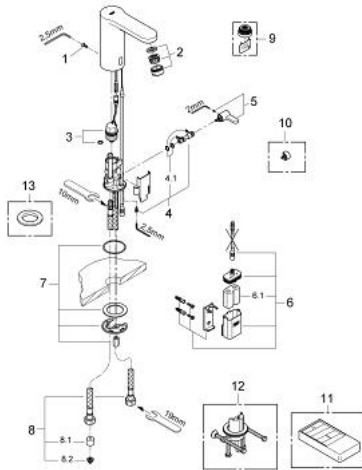
36 327 000 EUROSMART COSMOPOLITAN E INFRA-RED ELECTRONIC BASIN MIXER WITH MIXING DEVICE AND ADJUSTABLE TEMPERATURE LIMITER



PRODUCT DESCRIPTION

- Colour: chrome
- single hole installation
- 6 V lithium battery, type CR-P2
- mixing device with adjustable hot water limiter
- with integrated solenoid valve
- external battery
- multistage battery status display
- flexible connection hoses
- non return valve
- rapid installation system
- 7 pre-set programs:
 - with 24/72 hours autoflush
 - time or user dependent
 - with cleaning mode
 - safety stop after 60 sec.
- additional functions by remote control:
 - adjustable flow time
 - adjustable reflection range by remote
 - activation of thermal disinfection for 3.5 or 11 min by hand
- dirt strainers
- noise classification I in accordance with DIN 4109
- type of protection faucet IP 59K
- CE approved
- GROHE EcoJoy mousseur 5.7 l/min
- GROHE LongLife finish
- GROHE EcoJoy - Less water, perfect flow
- min. recommended pressure 1.0 bar

36 327 000 EUROSMART COSMOPOLITAN E INFRA-RED ELECTRONIC BASIN MIXER WITH MIXING DEVICE AND ADJUSTABLE TEMPERATURE LIMITER



SPARE PARTS, 8月 2010 – now

- 1: Screws (Spare part-nr. 4283100M)
 - 2: Mousseur (Spare part-nr. 42832000)
 - 3: Solenoid valve (Spare part-nr. 42399000)
 - 4: Mixer spindle (Spare part-nr. 42402000)
 - 4.1: Sealing washer (Spare part-nr. 4284000M)
 - 5: Mixing device (Spare part-nr. 42401000)
 - 5.1: Sealing washer (Spare part-nr. 4284000M)
 - 6: Battery housing (Spare part-nr. 42393000)
 - 6.1: Battery (Spare part-nr. 42886000)
 - 7: Mounting set (Spare part-nr. 42400000)
 - 8: Connection hose (Spare part-nr. 42403000)
 - 8.1: Non-return valve (Spare part-nr. 4240400M)
 - 8.2: Filter (Spare part-nr. 4241300M)
 - 9: Mousseur (Spare part-nr. 36133000)*
 - 10: Hidden mixing device (Spare part-nr. 42408000)*
 - 11: Infra-red remote control (Spare part-nr. 36206000)*
 - 12: Rotation lock (Spare part-nr. 36276000)*
 - 13: Escutcheon (Spare part-nr. 36370000)*
- * Optional accessories