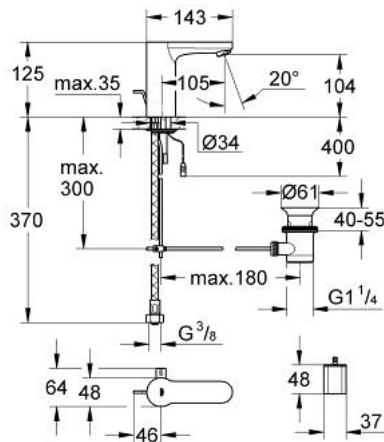


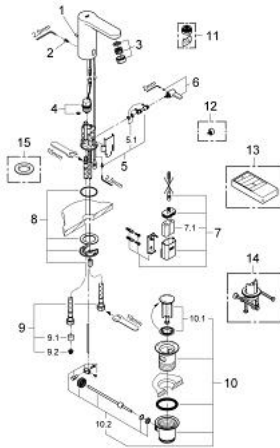
36 331 000 EUROSMART COSMOPOLITAN E INFRA-RED ELECTRONIC BASIN MIXER WITH MIXING DEVICE AND ADJUSTABLE TEMPERATURE LIMITER



PRODUCT DESCRIPTION

- Colour: chrome
- pop-up waste set 1 1/4"
- 6 V lithium battery, type CR-P2
- with integrated solenoid valve
- single hole installation
- for 1/2" angle valve
- rapid installation system
- 7 pre-set programs:
- with 24/72 hours autoflush
- time or user dependent
- with cleaning mode
- safety stop after 60 sec.
- additional functions by remote control:
- adjustable flow time
- adjustable reflection range by remote
- activation of thermal disinfection for 3.5 or 11 min by hand
- mousseur 5.7 l/min
- flexible connection hoses
- non return valve
- dirt strainers
- CE approved
- GROHE EcoJoy - Less water, perfect flow
- GROHE LongLife finish
- min. recommended pressure 1.0 bar

36 331 000 EUROSMART COSMOPOLITAN E INFRA-RED ELECTRONIC BASIN MIXER WITH MIXING DEVICE AND ADJUSTABLE TEMPERATURE LIMITER



SPARE PARTS, 8月 2010 – now

- 1: Pop-up rod (Spare part-nr. 46739000)
- 2: Screws (Spare part-nr. 4283100M)
- 3: Mousseur (Spare part-nr. 42832000)
- 4: Solenoid valve (Spare part-nr. 42399000)
- 5: Mixer spindle (Spare part-nr. 42402000)
- 5.1: Sealing washer (Spare part-nr. 4284000M)
- 6: Mixing device (Spare part-nr. 42401000)
- 6.1: Sealing washer (Spare part-nr. 4284000M)
- 7: Battery housing (Spare part-nr. 42393000)
- 7.1: Battery (Spare part-nr. 42886000)
- 8: Mounting set (Spare part-nr. 42400000)
- 9: Connection hose (Spare part-nr. 42403000)
- 9.1: Non-return valve (Spare part-nr. 4240400M)
- 9.2: Filter (Spare part-nr. 4241300M)
- 10: Waste set 1 1/4" (Spare part-nr. 28910000)
- 10.1: Plug (Spare part-nr. 07182000)
- 10.2: Eccentric rod (Spare part-nr. 07052000)
- 11: Mousseur (Spare part-nr. 36133000)*
- 12: Hidden mixing device (Spare part-nr. 42408000)*
- 13: Infra-red remote control (Spare part-nr. 36206000)*
- 14: Rotation lock (Spare part-nr. 36276000)*
- 15: Escutcheon (Spare part-nr. 36370000)*

* Optional accessories