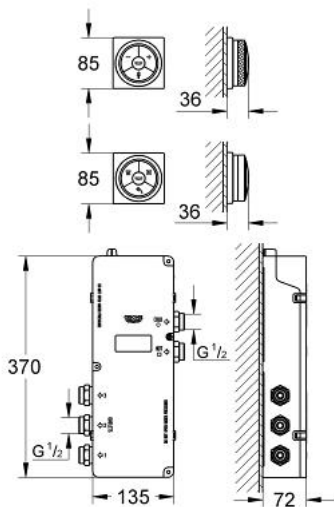


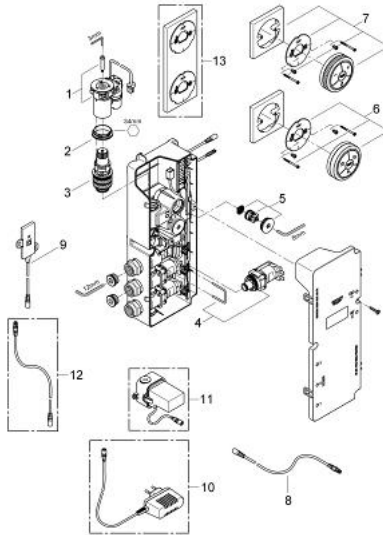
36 352 000 DIGITAL CONTROLLER AND DIGITAL DIVERTER FOR SHOWER WITH SQUARE BASE PLATE



PRODUCT DESCRIPTION

- Colour: chrome
- including digital thermostat unit
- - Temperature and flow control
- - Memory-function
- - LED-ring
- Digital mixing device
- - digital controlled valves
- - LED ring incl. warming-up function: visual feedback when preferred temperature is reached
- digital diverter for shower
- - Diverter: head-, side- and hand shower
- Wireless technology
- - LED ring (indication of outlet)
- digital thermostat unit (concealed body)
- - warm/cold-supplies 1/2"
- - 3 outlets 1/2" shower diverter
- 3 outlets 1/2"
- transceiver unit for Digital Controller and Digital thermostat unit incl. cable 3 m
- GROHE TurboStat digital controlled compact cartridge with wax thermoelement
- default setting configurable during installation:
- - warm/cold-supplies 1/2"- 3 outlets 1/2"
- GROHE SafeStop safety button at 38°C
- GROHE LongLife finish
- GROHE EcoJoy - less water, perfect flow
- requires:
- built-in power supply 36 078 000 or plug power supply 65 790 000
- minimum pressure 1,0 bar

36 352 000 DIGITAL CONTROLLER AND DIGITAL DIVERTER FOR SHOWER WITH SQUARE BASE PLATE



SPARE PARTS, February 2011 – now

- 1: Motor (Spare part-nr. 42337000)
- 2: Fitting ring (Spare part-nr. 47765000)
- 3: Thermostatic compact cartridge 3/4" (Spare part-nr. 47881000)
- 4: Solenoid valve (Spare part-nr. 42340000)
- 5: Non-return valve (Spare part-nr. 47753000)
- 6: Remote control (Spare part-nr. 48113000)
- 7: Digital controller with square base plate
remote controller for bath or shower (Spare part-nr. 36355000)
- 8: connection wire (Spare part-nr. 47727000)
- 9: Transceiver (Spare part-nr. 36356000)
- 10: Plug power supply 230 V (Spare part-nr. 65790000)*
- 11: Plug power supply 110-240 V (Spare part-nr. 36078000)*
- 12: connection wire (Spare part-nr. 65815000)*
- 13: Holder plate for Digital Controller &
Digital Diverter (Spare part-nr. 40548000)*

* Optional accessories