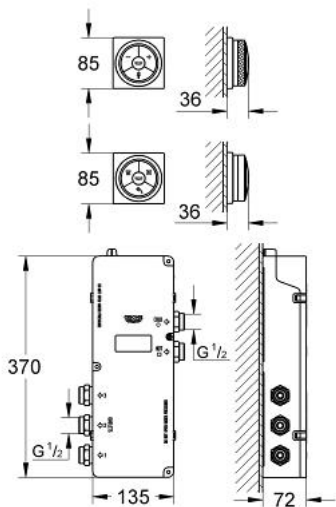


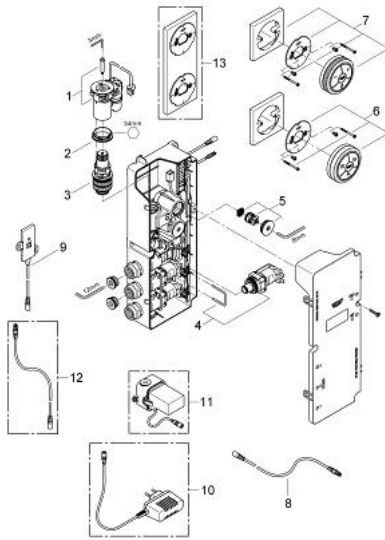
## 36 352 000 **DIGITAL CONTROLLER AND DIGITAL DIVERTER** **FOR SHOWER WITH SQUARE BASE PLATE**



### PRODUCT DESCRIPTION

- Colour: chrome
- including digital thermostat unit
- Digital Controller - intuitive multifunctional operating unit
  - - wireless technology
  - - temperature and flow control
  - - pause function
  - - memory function
  - - LED ring incl. warming-up function: visual feedback when preferred temperature is reached
- digital diverter for shower
  - - Diverter: head-, side- and hand shower
- Wireless technology
- - LED ring (indication of outlet)
- digital thermostat unit (concealed body)
  - - warm/cold-supplies 1/2"
  - - 3 outlets 1/2" shower diverter
  - 3 outlets 1/2"
- transceiver unit for Digital Controller and digital thermostat unit incl. cable 3 m
- GROHE TurboStat digital controlled compact cartridge with wax thermoelement
- default setting configurable during installation:
  - - automatic safety shut-off after 20 min
  - GROHE SafeStop at 38°C
  - GROHE LongLife finish
  - GROHE EcoJoy - Less water, perfect flow
- requires:
  - built-in power supply 36 078 000 or plug power supply 65 790 000
  - min. recommended pressure 1.0 bar

## 36 352 000 **DIGITAL CONTROLLER AND DIGITAL DIVERTER FOR SHOWER WITH SQUARE BASE PLATE**



### **SPARE PARTS**, 2月 2011 – now

- 1: Motor (Spare part-nr. 42337000)
  - 2: Fitting ring (Spare part-nr. 47765000)
  - 3: Thermostatic compact cartridge 3/4" (Spare part-nr. 47881000)
  - 4: Solenoid valve (Spare part-nr. 42340000)
  - 5: Non-return valve (Spare part-nr. 47753000)
  - 6: Remote control (Spare part-nr. 48113000)
  - 7: Digital controller with square base plate  
remote controller for bath or shower (Spare part-nr. 36355000)
  - 8: Connection wire (Spare part-nr. 47727000)
  - 9: Transceiver (Spare part-nr. 36356000)
  - 10: Plug power supply 230 V (Spare part-nr. 65790000)\*
  - 11: Plug power supply 110-240 V (Spare part-nr. 36078000)\*
  - 12: Connection wire (Spare part-nr. 65815000)\*
  - 13: Holder plate for Digital Controller &  
Digital Diverter (Spare part-nr. 40548000)\*
- \* Optional accessories