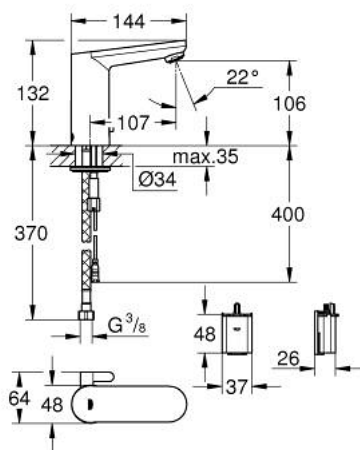


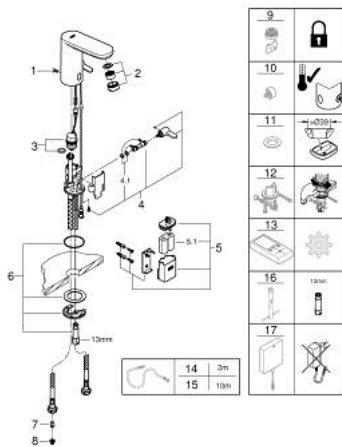
36 366 001 GET E INFRA-RED ELECTRONIC BASIN MIXER



PRODUCT DESCRIPTION

- Colour: chrome
- with infrared sensor for bi-directional communication for monitoring, configuration and servicing
- single hole installation
- 6 V lithium battery, type CR-P2
- battery lifetime: approx. 7 years (150 actuations a day)
- multistage battery status display
- mixing device with adjustable hot water limiter
- with integrated solenoid valve
- external battery
- GROHE EcoJoy mousseur 5.7 l/min
- dirt strainers
- flexible connection hoses
- non return valve
- rapid installation system
- 7 pre-set programs:
 - auto flush
 - thermal disinfection
 - cleaning mode
- additional functions and precise settings by remote control 36 407
- noise classification I in accordance with DIN 4109
- type of protection faucet IP 59K
- CE approved
- min. recommended pressure 1.0 bar

36 366 001 GET E INFRA-RED ELECTRONIC BASIN MIXER



SPARE PARTS, 6月 2018 – now

- 1: Screws (Spare part-nr. 4283100M)
- 2: Mousseur (Spare part-nr. 48159000)
- 3: Solenoid valve (Spare part-nr. 42469000)
- 4: Mixing device (Spare part-nr. 42401000)
- 4.1: Sealing washer (Spare part-nr. 4284000M)
- 5: Battery housing (Spare part-nr. 42393000)
- 5.1: Battery (Spare part-nr. 42886000)
- 6: Mounting set (Spare part-nr. 42400000)
- 7: Non-return valve (Spare part-nr. 4257200M)
- 8: Filter (Spare part-nr. 4241300M)
- 9: Mousseur (Spare part-nr. 36133000)*
- 10: Hidden mixing device (Spare part-nr. 42408000)*
- 11: Escutcheon (Spare part-nr. 36370000)*
- 12: Rotation lock (Spare part-nr. 36276000)*
- 13: Remote control (Spare part-nr. 36407001)*
- 14: Power extension cable (Spare part-nr. 36340000)*
- 15: Power extension cable (Spare part-nr. 36341000)*
- 16: Mounting wrench (Spare part-nr. 19017000)*
- 17: Switch-mode power supply (Spare part-nr. 36338000)*

* Optional accessories