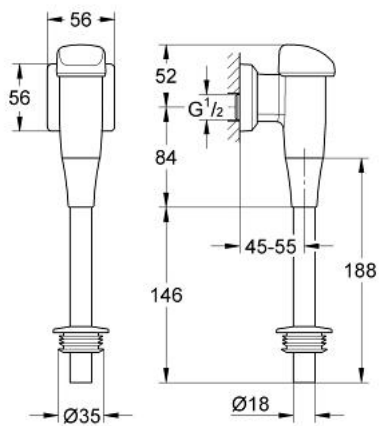


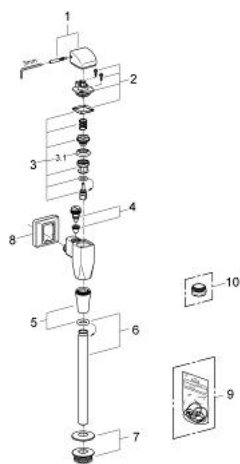
## 37 021 000 URINAL FLUSH VALVE



### PRODUCT DESCRIPTION

- Colour: chrome
- ½"
- exposed installation
- with control cap and flush pipe connection
- minimum flow pressure 0.5 bar
- integrated stop valve
- flow rate adjustment
- flush volume adjustable 2.0 - 6.0 l
- material: brass
- wall escutcheon
- flush pipe 200 mm
- rubber connector
- low noise (group II according to German noise specification)
- in connection with flush pipe and sound absorber
- GROHE LongLife finish

## 37 021 000 URINAL FLUSH VALVE



### SPARE PARTS, November 2006 – now

- 1: Lever cap (Spare part-nr. 43052000)
- 2: Cover (Spare part-nr. 43102000)
- 3: Piston (Spare part-nr. 43450000)
- 3.1: Sleeve (Spare part-nr. 4376500M)
- 4: Isolating valve (Spare part-nr. 43393000)
- 5: Nut (Spare part-nr. 43304000)
- 6: Urinal flush pipe (Spare part-nr. 37035000)
- 7: Adapter for urinal (Spare part-nr. 43818000)
- 8: Escutcheon (Spare part-nr. 43226000)
- 9: Repl. kit f. seal (Spare part-nr. 43715000)\*
- 10: Fixing nut (Spare part-nr. 43310000)\*

\* Optional accessories