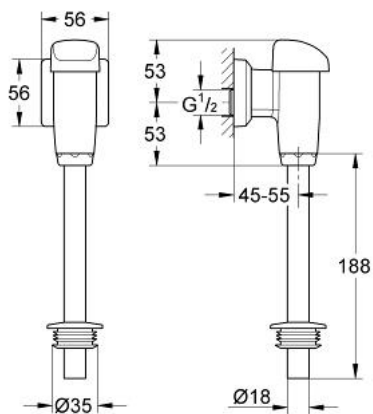


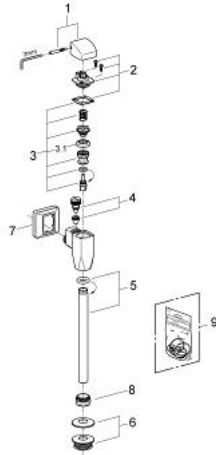
37 024 000 URINAL FLUSH VALVE



PRODUCT DESCRIPTION

- Colour: chrome
- ½"
- exposed installation
- heavy duty
- with control cap and short flush pipe connection
- minimum flow pressure 0.5 bar
- integrated stop valve
- flow rate adjustment
- flush volume adjustable 2.0 - 6.0 l
- material: brass
- with wall escutcheon
- flush pipe 200 mm
- rubber connector
- GROHE LongLife finish

37 024 000 URINAL FLUSH VALVE



SPARE PARTS, November 2006 – now

1: Lever cap, complete, metal (Spare part-nr. 43054000)

2: Cover (Spare part-nr. 43102000)

3: Piston (Spare part-nr. 43450000)

3.1: Sleeve (Spare part-nr. 4376500M)

4: Isolating valve (Spare part-nr. 43393000)

5: Urinal flush pipe (Spare part-nr. 37035000)

6: Adapter for urinal (Spare part-nr. 43818000)

7: Escutcheon (Spare part-nr. 43226000)

8: Fixing nut (Spare part-nr. 43310000)

9: Repl. kit f. seal (Spare part-nr. 43715000)*

* Optional accessories