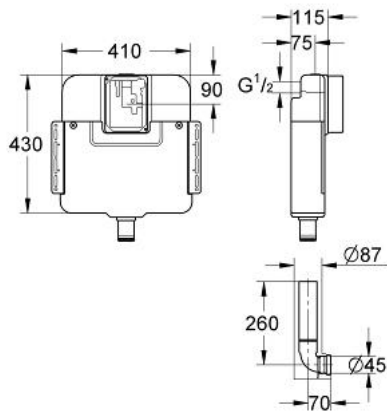


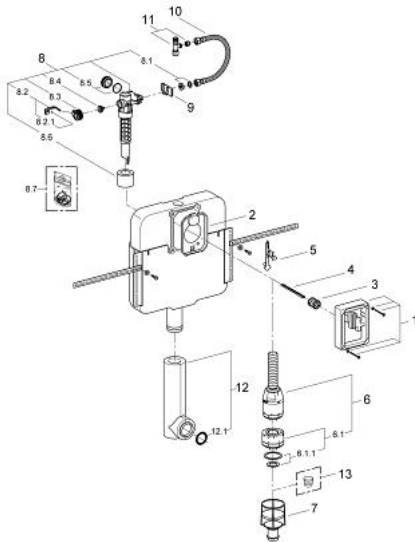
## 37 050 000 FLUSHING CISTERN FOR WC



### PRODUCT DESCRIPTION

- 6 l flush
- concealed installation
- interruptible flush
- made of polyethylene
- connection from top or back
- low noise (group I acc. to German Noise Specification)
- insulated against condensation
- 410 x 120 x 430 mm
- angle valve ½"
- fixing brackets
- flush pipe
- polystyrene protecting block 45 mm
- without wall plate/actuation
- GROHE EcoJoy - less water, perfect flow

## 37 050 000 FLUSHING CISTERN FOR WC



### SPARE PARTS, November 2008 – now

- 1: Protection cap (Spare part-nr. 43944000)
- 2: Protective plate (Spare part-nr. 43552000)
- 3: Control Sleeve (Spare part-nr. 43547000)
- 4: Actuation Bolt (Spare part-nr. 43546000)
- 5: Lever (Spare part-nr. 43550000)
- 6: Servo discharge valve (Spare part-nr. 43486000)
- 6.1: Outlet piston (Spare part-nr. 43544000)
- 6.1.1: Ball seal dia. 9x6.8 mm (Spare part-nr. 43808000)
- 7: Valve seat (Spare part-nr. 43542000)
- 8: Filling valve (Spare part-nr. 43537000)
- 8.1: Dummy plug and escutcheon cap (Spare part-nr. 37125000)
- 8.2: Lever (Spare part-nr. 43734000)
- 8.2.1: Ball seal dia. 9x6.8 mm (Spare part-nr. 4377000M)
- 8.3: Valve head (Spare part-nr. 43536000)
- 8.4: Membrane (Spare part-nr. 4375800M)
- 8.5: Screw cap (Spare part-nr. 43735000)
- 8.6: Valve float, 5 pcs. (Spare part-nr. 4379100M)
- 8.7: Throttle (Spare part-nr. 42356000)
- 8.8: Repl. kit f. seal (Spare part-nr. 43722000)\*
- 9: Support device (Spare part-nr. 43551000)
- 10: Hose (Spare part-nr. 43349000)
- 11: Service valve (Spare part-nr. 43821000)
- 12: Flush pipe, concealed (Spare part-nr. 43908000)
- 12.1: Seat washer (Spare part-nr. 4388000M)
- 13: Flow restrictor (Spare part-nr. 42074000)

\* Optional accessories