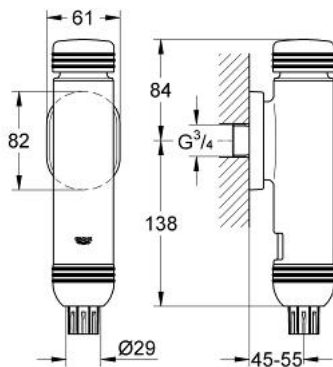


## 37 147 IK0 RONDO A.S. FLUSH VALVE FOR WC

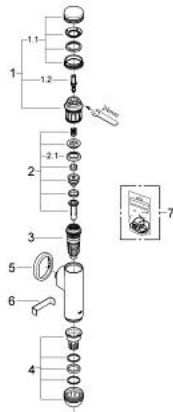


### PRODUCT DESCRIPTION

- Colour: chrome/black
- exposed installation
- $\frac{3}{4}$ "
- integrated stop valve
- 6 - 9 l adjustable
- material: brass
- control cap and connection to plastic flush pipe
- with design rings
- flow pressure range from 1.2 - 5.0 bar
- for wash-down and wash-out bowls
- with flow rate adjustment
- low noise (group I acc. to German Noise Specification)
- with escutcheon
- GROHE EcoJoy - less water, perfect flow
- GROHE LongLife finish



## 37 147 IK0 RONDO A.S. FLUSH VALVE FOR WC



### SPARE PARTS, September 1995 – now

- 1: Cover (Spare part-nr. 43247000)
- 1.1: Press button (Spare part-nr. 43064000)
- 1.2: Safety valve (Spare part-nr. 42875000)
- 2: Piston (Spare part-nr. 43451000)
- 2.1: Sleeve (Spare part-nr. 4376900M)
- 4: Discharge Sleeve (Spare part-nr. 43341000)
- 4: Throttle nozzle (Spare part-nr. 43407000)
- 5: Escutcheon (Spare part-nr. 43240000)
- 6: Throttle key (Spare part-nr. 43781000)\*
- 6: Throttle key (Spare part-nr. 43781000)
- 7: Repl. kit f. seal (Spare part-nr. 43740000)\*

\* Optional accessories