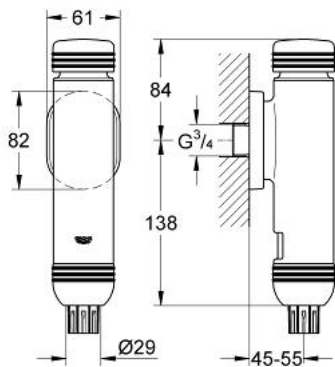


## 37 147 IK0 RONDO A.S. FLUSH VALVE FOR WC

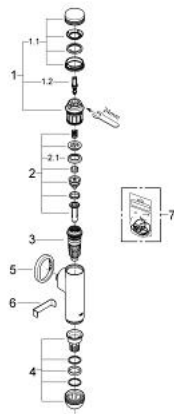


### PRODUCT DESCRIPTION

- Colour: chrome/black
- exposed installation
- 3/4"
- integrated stop valve
- 6 - 9 l adjustable
- material: brass
- control cap and connection to plastic flush pipe
- with design rings
- flow pressure range from 1.2 - 5.0 bar
- for wash-down and wash-out bowls
- with flow rate adjustment
- low noise (group I acc. to German Noise Specification)
- with escutcheon
- GROHE EcoJoy - Less water, perfect flow
- GROHE LongLife finish



## 37 147 IK0 RONDO A.S. FLUSH VALVE FOR WC



### SPARE PARTS, 9月 1995 – now

1: Cover (Spare part-nr. 43247000)

1.1: Press button (Spare part-nr. 43064000)

1.2: Safety valve (Spare part-nr. 42875000)

2: Piston (Spare part-nr. 43451000)

2.1: Sleeve (Spare part-nr. 4376900M)

4: Discharge sleeve (Spare part-nr. 43341000)

4: Throttle nozzle (Spare part-nr. 43407000)

5: Escutcheon (Spare part-nr. 43240000)

6: Throttle key (Spare part-nr. 43781000)\*

6: Throttle key (Spare part-nr. 43781000)

7: Set of seals (Spare part-nr. 43740000)\*

\* Optional accessories