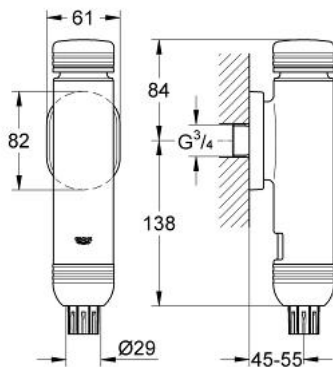


37 149 000 RONDO A.S. FLUSH VALVE FOR WC

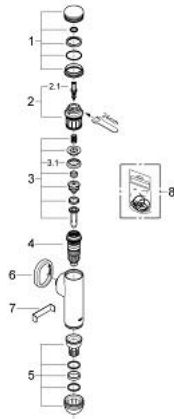


PRODUCT DESCRIPTION

- Colour: chrome
- exposed installation
- heavy duty
- 3/4"
- integrated stop valve
- 6 - 9 l adjustable
- material: brass
- control cap and connection to brass flush pipe
- without design rings
- flow pressure range from 1.2 - 5.0 bar
- for wash-down and wash-out bowls
- with flow rate adjustment
- low noise (group I acc. to German Noise Specification)
- with escutcheon
- GROHE EcoJoy - less water, perfect flow
- GROHE LongLife finish



37 149 000 RONDO A.S. FLUSH VALVE FOR WC



SPARE PARTS, September 1995 – now

- 1: Press button (Spare part-nr. 43008000)
- 2: Metal cover (Spare part-nr. 43248000)
- 2.1: Safety valve (Spare part-nr. 42875000)
- 3: Piston (Spare part-nr. 43451000)
- 3.1: Sleeve (Spare part-nr. 4376900M)
- 4: Throttle nozzle (Spare part-nr. 43407000)
- 5: Discharge Sleeve (Spare part-nr. 43342000)
- 6: Escutcheon (Spare part-nr. 43240000)
- 7: Throttle key (Spare part-nr. 43781000)*
- 7: Throttle key (Spare part-nr. 43781000)
- 8: Repl. kit f. seal (Spare part-nr. 43740000)*

* Optional accessories