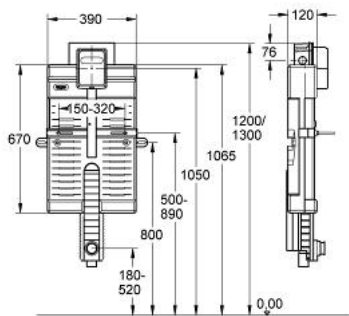


37 581 000 UNISET FOR URINAL

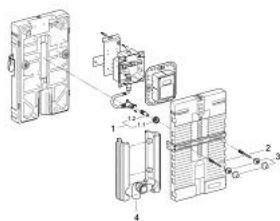


PRODUCT DESCRIPTION

- with roughing-in set for Tectron Skate and Tectron Surf
- sound-insulating EPS module for masonry-in with closed surface
- rail adaptors for modular fixing
- for single or series installation
- fixing accessories for single installation
- height adjustable fitting connections
- inlet connection and inlet connecting set
- HT-outlet bend DN 50
- threaded bolts M8
- fixing material for urinal bowl
- box for concealed installation including roughing-in box
- water group with stop valve and flush elbow
- without Tectron electronic, 230 V AC or battery supply
- without support feet



37 581 000 UNISET FOR URINAL



SPARE PARTS, July 2008 – now

- 1: Inlet connecting set (Spare part-nr. 37044000)
- 2: Threaded bolt (Spare part-nr. 43078000)
- 3: Fastening set (Spare part-nr. 4307500M)
- 4: Flush elbow 2" (Spare part-nr. 42943000)
- 4.1: holder (Spare part-nr. 42236000)