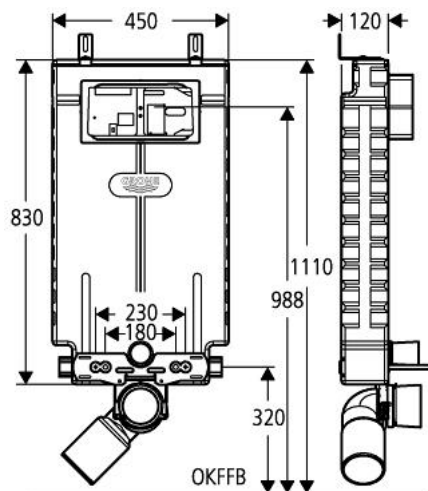


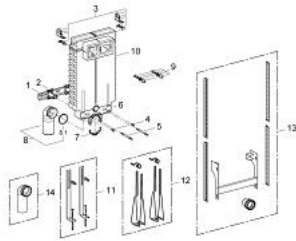
## 37 582 000 UNISET FOR WALL-HUNG WC



### PRODUCT DESCRIPTION

- flushing cistern 6 - 9 l
- sound-insulating EPS module for masonry-in with closed surface
- rail adaptors for modular fixing
- for single or series installation
- wall rail with fixing accessories for single installation
- 2 WC fixing bolts
- distance of fixing bolts 180/230 mm
- PP outlet bend  $\varnothing$  80/100 mm
- inlet and outlet connecting set
- interruptible flush
- low noise (group I acc. to German Noise Specification)
- insulated against condensation
- angle valve  $\frac{1}{2}$ "
- without wall plate/actuation

## 37 582 000 UNISSET FOR WALL-HUNG WC



### SPARE PARTS, September 1996 – now

- 1: Rail (Spare part-nr. 43931000)
- 2: Suspension clip (Spare part-nr. 43919000)
- 3: Fastening (Spare part-nr. 42858000)
- 4: Screws, 4 pcs. (Spare part-nr. 4393000M)
- 5: Threaded bolt (Spare part-nr. 43023000)
- 6: Cap (Spare part-nr. 43915000)
- 7: Hoop (Spare part-nr. 42949000)
- 8: Elbow (Spare part-nr. 42946000)
- 8.1: Seat washer (Spare part-nr. 4207700M)
- 9: Basin fastening (Spare part-nr. 43511P00)
- 10: Flushing cistern for WC (Spare part-nr. 37049000)
- 11: Support feet (Spare part-nr. 37304000)\*
- 12: Uniset support feet (Spare part-nr. 37573000)\*
- 13: Support element in studded walls (Spare part-nr. 37739000)\*
- 14: Elbow (Spare part-nr. 43909000)\*

\* Optional accessories