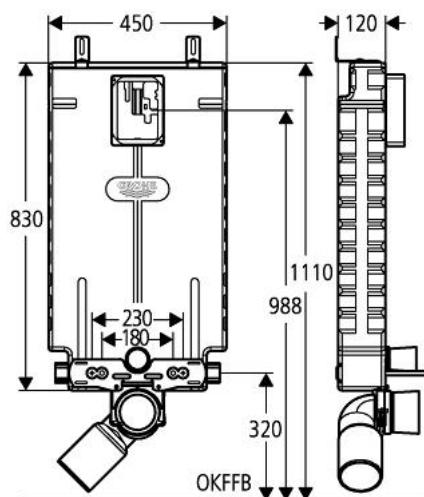


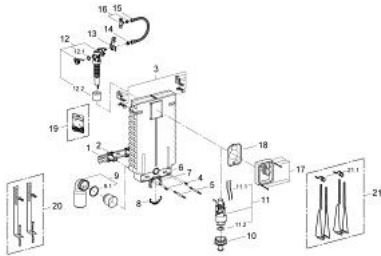
37 753 000 UNISET FOR WALL-HUNG WC



PRODUCT DESCRIPTION

- dual flush cistern 6 l / 3
- sound-insulating EPS module for masonry-in with closed surface
- rail adaptors for modular fixing
- for single or series installation
- wall rail with fixing accessories for single installation
- 2 WC fixing bolts
- distance of fixing bolts 180/230 mm
- PP outlet bend Ø 80/100 mm
- inlet and outlet connecting set
- flushing cistern 6 l / 3 l
- pneumatic dual flush discharge valve
- low noise (group I acc. to German Noise Specification)
- insulated against condensation
- angle valve 1/2"
- without flush plate/actuation

37 753 000 UNISET FOR WALL-HUNG WC



SPARE PARTS, 1月 1999 – now

- 1: Protection cap (Spare part-nr. 43944000)
- 2: Protective plate (Spare part-nr. 43552000)
- 3: Support device (Spare part-nr. 43551000)
- 4: Discharge valve, Dual Flush (Spare part-nr. 42774000)
- 4.1: Tubes (Spare part-nr. 42775000)
- 4.2: Seal for Dual Flush discharge valve (Spare part-nr. 4285200M)
- 5: Compression nut (Spare part-nr. 43258000)
- 6: Hose (Spare part-nr. 43349000)
- 7: Filling valve (Spare part-nr. 43537000)
- 7.1: Dummy plug and escutcheon cap (Spare part-nr. 37125000)
- 7.2: Lever (Spare part-nr. 43734000)
- 7.2.1: Seal (Spare part-nr. 4377000M)
- 7.3: Valve head (Spare part-nr. 43536000)
- 7.4: Membrane (Spare part-nr. 4375800M)
- 7.5: Screw cap (Spare part-nr. 43735000)
- 7.6: Valve float, 5 pcs. (Spare part-nr. 4379100M)
- 7.7: Throttle (Spare part-nr. 42356000)
- 7.8: Set of seals (Spare part-nr. 43722000)*
- 8: Angle valve (Spare part-nr. 42730000)
- 9: Flush pipe, concealed (Spare part-nr. 43908000)
- 9.1: Sealing washer (Spare part-nr. 4388000M)
- 10: Valve seat for concealed cisterns, Dual Flush (Spare part-nr. 42773000)
- 11: Set of seals (Spare part-nr. 43722000)

* Optional accessories