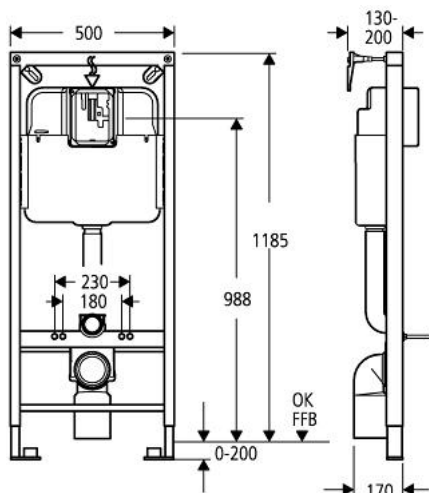


37 775 000 **RAPID L FOR WALL-HUNG WC**



PRODUCT DESCRIPTION

- dual flush cistern 6 l / 3 l
- 1.20 m installation height
- for on-the-wall installations or studded walls
- powder coated steel frame, self-supporting
- for dry-cladding, completely pre-assembled
- with fixed connections
- for single or rail installation
- fixing material
- TÜV approved
- 2 WC fixing bolts
- fixing device for ceramic
- distance of fixing bolts 180/230 mm
- PP outlet bend Ø 80/100 mm
- spacer Ø 80 mm
- inlet and outlet connecting set
- flushing cistern 6 l / 3 l
- pneumatic dual flush discharge valve
- low noise (group I acc. to German Noise Specification)
- insulated against condensation
- angle valve 1/2"
- accessories for on-the-wall installation
- without flush plate/actuation