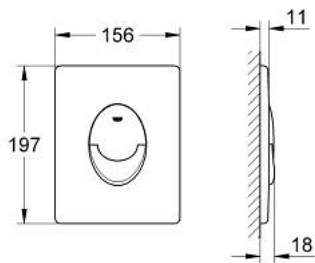


38 505 SP0 SKATE AIR FLUSH PLATE

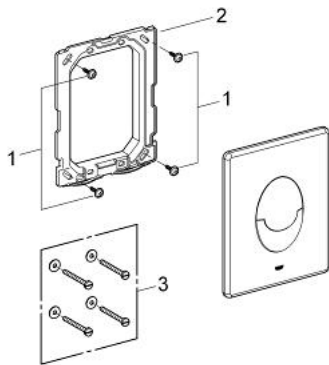


PRODUCT DESCRIPTION

- for dual flush or start & stop actuation
- for pneumatic discharge valve
- vertical installation
- 156 x 197 mm
- material: ABS
- GROHE LongLife finish
- GROHE EcoJoy - Less water, perfect flow
- for combination with Rapid SL and Uniset with GD 2 cistern
- for use with Rapid SLX please order shaft 66 791 000 (sold separately)



38 505 SP0 SKATE AIR FLUSH PLATE



SPARE PARTS, 6月 2003 – now

1: Screw (Spare part-nr. 6636200M)

2: Mounting frame (Spare part-nr. 43207000)

3: Fixing set (Spare part-nr. 4308500M)*

* Optional accessories