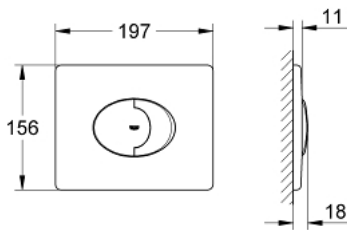


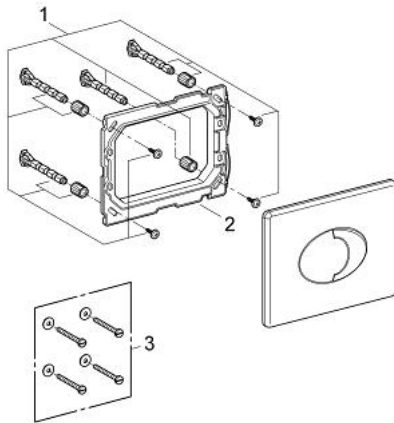
## 38 506 SP0 SKATE AIR FLUSH PLATE

### PRODUCT DESCRIPTION

- for dual flush or start & stop actuation
- for pneumatic discharge valve
- horizontal installation
- 156 x 197 mm
- material: ABS



## 38 506 SP0 **SKATE AIR FLUSH PLATE**



### **SPARE PARTS**, 6月 2003 – now

1: Fixing set (Spare part-nr. 4215800M)

2: Mounting frame (Spare part-nr. 43207000)

3: Fixing set (Spare part-nr. 4308500M)\*

\* Optional accessories