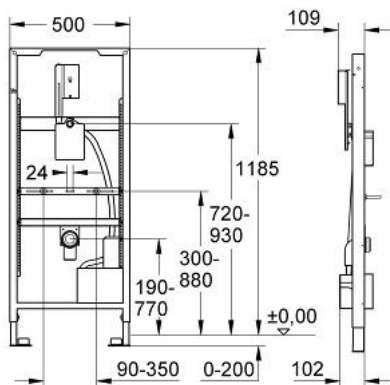


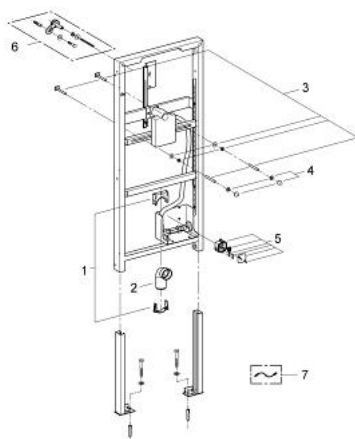
## 38 511 000 **RAPID SL FOR URINAL**



### PRODUCT DESCRIPTION

- with Roughing-in Set for radar electronic
- 1.20 m installation height
- for on-the-wall installations or studed walls
- powder coated steel frame, self-supporting
- for dry-cladding, completely pre-assembled
- height adjustable fitting connections
- quick adjustment, lockable
- fixing material
- TÜV approved
- HT-outlet bend DN 50
- inlet connection and inlet connecting set
- fixing bolts M8, with fixing device for the ceramic
- box for concealed installation including roughing-in box
- water group with stop valve and flush elbow
- without accessories for on-the-wall installation
- without installation set for radar electronic
- without tiling set
- preadjusted for urinal bowl Aller

## 38 511 000 **RAPID SL FOR URINAL**



### **SPARE PARTS**, April 2008 – now

- 1: holder (Spare part-nr. 42236000)
- 2: Flush elbow 2" (Spare part-nr. 42943000)
- 2.1: holder (Spare part-nr. 42236000)
- 3: Threaded bolt (Spare part-nr. 43078000)
- 4: Fastening set (Spare part-nr. 4307500M)
- 5: Transformer connecting box (Spare part-nr. 42279000)
- 6: Wall union (Spare part-nr. 3855800M)\*
- 7: Extension cable (Spare part-nr. 36157000)\*

\* Optional accessories