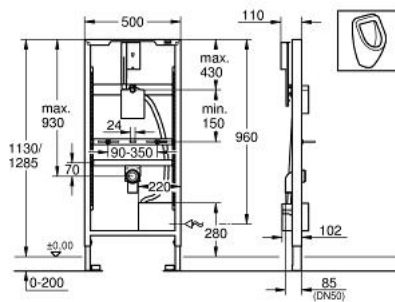


38 511 001 **RAPID SL FOR URINAL**

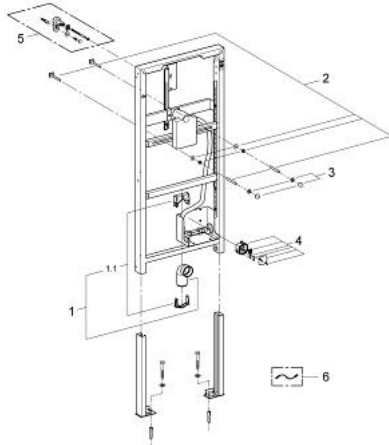


PRODUCT DESCRIPTION

- with Roughing-in Set for radar electronic
- 1.13 and 1.30 m installation height
- for on-the-wall installations or studed walls
- powder coated steel frame, self-supporting
- for dry-cladding, completely pre-assembled
- height adjustable fitting connections
- quick adjustment, lockable
- TÜV approved
- fixing material
- HT-outlet bend DN 50
- inlet connection and inlet connecting set
- fixing bolts M8, with fixing device for the ceramic
- box for concealed installation including roughing-in box
- water group with stop valve and flush elbow
- without accessories for on-the-wall installation
- without installation set for radar electronic
- without tiling set



38 511 001 **RAPID SL FOR URINAL**



SPARE PARTS, March 2011 – now

- 1: Flush elbow 2" (Spare part-nr. 42943000)
- 1.1: holder (Spare part-nr. 42236000)
- 2: Threaded bolt (Spare part-nr. 43078000)
- 3: Fastening set (Spare part-nr. 4307500M)
- 4: Transformer connecting box (Spare part-nr. 42279000)
- 5: Wall union (Spare part-nr. 3855800M)*
- 6: Extension cable (Spare part-nr. 36157000)*

* Optional accessories