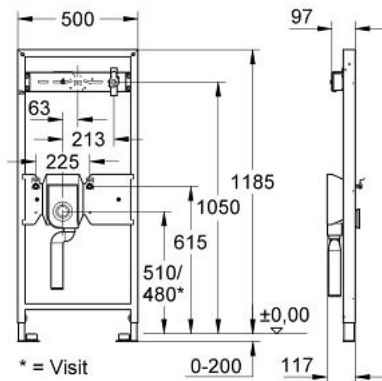


38 515 000 **RAPID SL FOR URINAL**



PRODUCT DESCRIPTION

- Keramag
- urinal flush valve for manual operating
- 1.20 m installation height
- front or top actuation
- steel frame with foil coating/hot galvanized, self-supporting
- for dry-cladding
- quick adjustment, lockable
- fixing material
- TÜV approved
- concealed syphon DN 50
- brass angle ½" with extension
- urinal flush valve DN 15
- for manual actuation
- minimum flow pressure 0.5 bar
- integrated stop valve
- flow rate adjustment
- low noise (group II according to German noise specification)
- flush volume adjustable 2.0/4.0/6.0 l
- flush aid
- without accessories for on-the-wall installation
- without flush plate/actuation
- preadjusted for urinal bowl Joly, Visit (Keramag)

38 515 000 **RAPID SL FOR URINAL**

SPARE PARTS, 4月 2008 – now

1: Wall brackets (Spare part-nr. 3855800M)*

* Optional accessories

