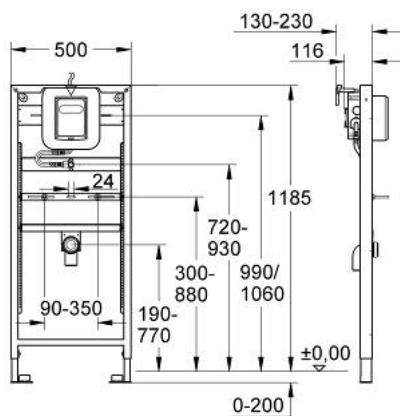


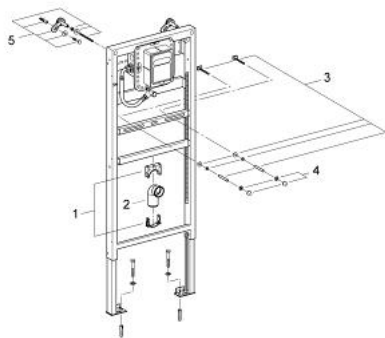
## 38 521 000 **RAPID SL FOR URINAL**



### PRODUCT DESCRIPTION

- roughing-in set for Tectron Skate and Tectron Surf
- 1.20 m installation height
- for on-the-wall installations or studded walls
- powder coated steel frame, self-supporting
- for dry-cladding, completely pre-assembled
- height adjustable fitting connections
- quick adjustment, lockable
- fixing material
- HT-outlet bend  $\varnothing$  50 mm
- TÜV approved
- inlet connection and inlet connecting set
- fixing bolts M8, with fixing device for ceramic
- box for concealed installation including roughing-in box
- water group with stop valve and flush elbow
- without Tectron electronic, 230 V AC or battery supply 6V DC
- accessories for on-the-wall installation
- preadjusted for urinal bowl Aller

## 38 521 000 **RAPID SL FOR URINAL**



### **SPARE PARTS**, 4月 2008 – now

- 1: Holder for outlet elbow (Spare part-nr. 42236000)
- 2: Outlet elbow 2" (Spare part-nr. 42943000)
- 2.1: Holder for outlet elbow (Spare part-nr. 42236000)
- 3: Threaded bolt (Spare part-nr. 43078000)
- 4: Fixation (Spare part-nr. 4307500M)
- 5: Wall brackets (Spare part-nr. 3855800M)