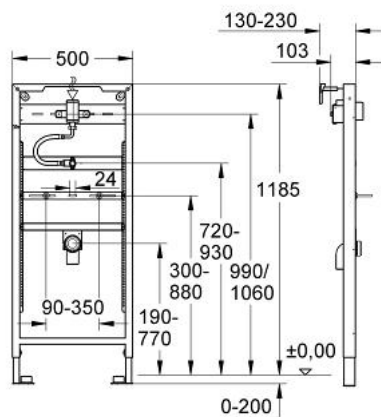


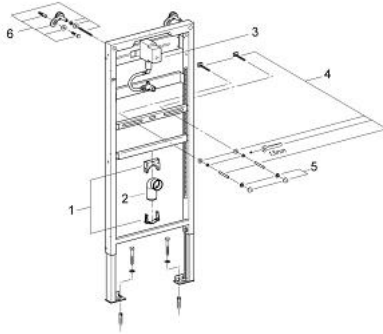
38 523 000 **RAPID SL FOR URINAL**



PRODUCT DESCRIPTION

- concealed urinal flush valve
- 1.20 m installation height
- for on-the-wall installations or studded walls
- powder coated steel frame, self-supporting
- for dry-cladding, completely pre-assembled
- height adjustable fitting connections
- quick adjustment, lockable
- fixing material
- TÜV approved
- HT-outlet bend Ø 50 mm
- inlet connection and inlet connecting set
- fixing bolts M8, with fixing device for ceramic
- urinal flush valve DN 15
- minimum flow pressure 0.5 bar
- integrated stop valve
- flow rate adjustment
- low noise (group II according to German noise specification)
- flush volume adjustable 2.0/4.0/6.0 l
- flush aid
- accessories for on-the-wall installation
- without flush plate/actuation
- preadjusted for urinal bowl Aller

38 523 000 **RAPID SL FOR URINAL**



SPARE PARTS, 4月 2008 – now

- 1: Holder for outlet elbow (Spare part-nr. 42236000)
- 2: Outlet elbow 2" (Spare part-nr. 42943000)
- 2.1: Holder for outlet elbow (Spare part-nr. 42236000)
- 3: Urinal flush valve for 37 737 (Spare part-nr. 42758000)
- 4: Threaded bolt (Spare part-nr. 43078000)
- 5: Fixation (Spare part-nr. 4307500M)
- 6: Wall brackets (Spare part-nr. 3855800M)