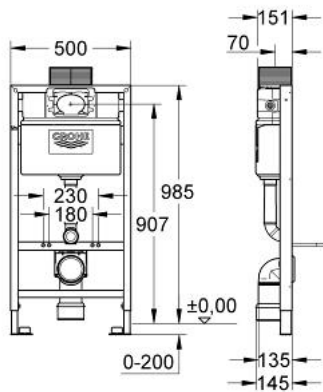


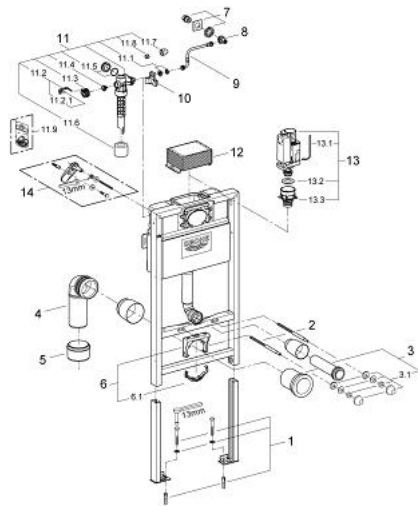
38 525 000 **RAPID SL** **FOR WALL-HUNG WC**



PRODUCT DESCRIPTION

- with flushing cistern 6 - 9 l
- for on-the-wall installations or studed walls
- 1.00 m installation height
- powder coated steel frame, self-supporting
- for dry-cladding, completely pre-assembled
- with fixed connections
- quick adjustment, lockable
- fixing material
- TÜV approved
- 2 WC fixing bolts
- fixing device for ceramic
- distance of fixing bolts 180/230 mm
- outlet bend \varnothing 80 mm
- depth adjustable
- reducer \varnothing 80/100 mm
- inlet and outlet connecting set
- flushing cistern 6 - 9 l
- pneumatic discharge valve offering 3 modes of operation: dual flush or start/stop or single flush
- front or top actuation
- water supply from left/right or back
- low noise (group I acc. to German Noise Specification)
- insulated against condensation
- $\frac{1}{2}$ " water supply connection including integrated angle valve and push fit flexible hose union
- inspection shaft with protecting block
- without accessories for on-the-wall installation
- without wall plate/actuation
- GROHE EcoJoy - less water, perfect flow

38 525 000 **RAPID SL** **FOR WALL-HUNG WC**



SPARE PARTS, April 2008 – now

- 1: Threaded bolt (Spare part-nr. 4276400M)
- 2: WC inlet and outlet connecting set (Spare part-nr. 37311K00)
- 2.1: Basin fastening (Spare part-nr. 43511SH0)
- 2.2: Connector (Spare part-nr. 37119000)
- 3: PP-outlet bend Ø 90 mm (Spare part-nr. 42327000)
- 4: 4" Outlet Adaptor F Rapid Sl (Spare part-nr. 42242000)
- 5: Support for outlet bend (Spare part-nr. 42243000)
- 6: Water supply (Spare part-nr. 42234000)
- 7: Service valve (Spare part-nr. 42235000)
- 8: Overflow Sleeve (Spare part-nr. 43325000)
- 8.1: Seat washer (Spare part-nr. 0319100M)
- 9: Support device (Spare part-nr. 42195000)
- 10: Filling valve (Spare part-nr. 37095000)
- 10.1: Lever (Spare part-nr. 43734000)
- 10.1.1: Ball seal dia. 9x6.8 mm (Spare part-nr. 4377000M)
- 10.2: Valve head (Spare part-nr. 43536000)
- 10.3: Membrane (Spare part-nr. 4375800M)
- 10.4: Screw cap (Spare part-nr. 43735000)
- 10.5: Valve float, 5 pcs. (Spare part-nr. 4379100M)
- 10.6: Repl. kit f. seal (Spare part-nr. 43722000)*
- 11: inspection shaft.for flushing cistern (Spare part-nr. 42326000)
- 12: Discharge valve AV1 complete (Spare part-nr. 42314000)
- 12.1: pneumatic hose (Spare part-nr. 42319000)
- 12.2: Ball seal dia. 9x6.8 mm (Spare part-nr. 42310000)
- 12.3: Valve seat for GD2 (Spare part-nr. 42315000)
- 13: Wall union (Spare part-nr. 3855800M)*

* Optional accessories