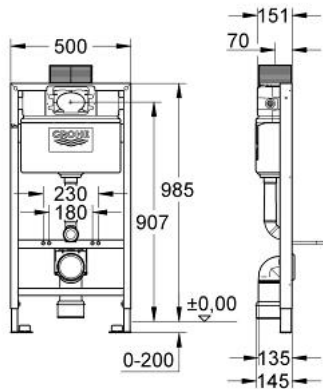


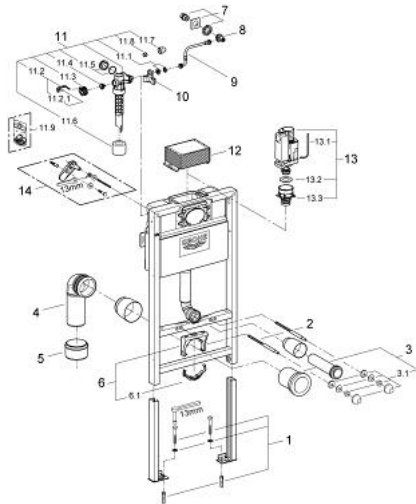
## 38 525 000 **RAPID SL FOR WC**



### PRODUCT DESCRIPTION

- with flushing cistern 6 - 9 l
- for on-the-wall installations or studded walls
- 1.00 m installation height
- powder coated steel frame, self-supporting
- for dry-cladding, completely pre-assembled
- with fixed connections
- quick adjustment, lockable
- fixing material
- TÜV approved
- 2 WC fixing bolts
- fixing device for ceramic
- distance of fixing bolts 180/230 mm
- outlet bend Ø 80 mm
- depth adjustable
- reducer Ø 80/100 mm
- inlet and outlet connecting set
- flushing cistern 6 - 9 l
- pneumatic discharge valve offering 3 modes of operation: dual flush or start/stop or single flush
- front or top actuation
- water supply from left/right or back
- low noise (group I acc. to German Noise Specification)
- insulated against condensation
- 1/2" water supply connection including integrated angle valve and push fit flexible hose union
- shortable inspection shaft including protection during construction phase
- without accessories for on-the-wall installation
- without flush plate/actuation
- GROHE EcoJoy - Less water, perfect flow

## 38 525 000 **RAPID SL FOR WC**



### SPARE PARTS, 4月 2008 – now

- 1: Threaded bolt (Spare part-nr. 4276400M)
  - 2: WC inlet and outlet connecting set (Spare part-nr. 37311K00)
    - 2.1: Basin fastening (Spare part-nr. 43511SH0)
    - 2.2: Connector (Spare part-nr. 37119000)
  - 3: PP-outlet bend Ø 90 mm (Spare part-nr. 42327000)
  - 4: Reducer (Spare part-nr. 42242000)
  - 5: Support for outlet bend (Spare part-nr. 42243000)
  - 6: Water supply (Spare part-nr. 42234000)
  - 7: Angle valve (Spare part-nr. 42235000)
  - 8: Overflow Sleeve (Spare part-nr. 43325000)
    - 8.1: Sealing washer (Spare part-nr. 0319100M)
  - 9: Support device (Spare part-nr. 42195000)
  - 10: Filling valve (Spare part-nr. 37095000)
    - 10.1: Lever (Spare part-nr. 43734000)
      - 10.1.1: Seal (Spare part-nr. 4377000M)
      - 10.2: Valve head (Spare part-nr. 43536000)
      - 10.3: Membrane (Spare part-nr. 4375800M)
      - 10.4: Screw cap (Spare part-nr. 43735000)
      - 10.5: Valve float, 5 pcs. (Spare part-nr. 4379100M)
      - 10.6: Set of seals (Spare part-nr. 43722000)\*
  - 11: Inspection shaft for flushing cistern (Spare part-nr. 42326000)
  - 12: Discharge valve AV1 complete (Spare part-nr. 42314000)
    - 12.1: Pneumatic hose (Spare part-nr. 42319000)
    - 12.2: Seal (Spare part-nr. 42310000)
    - 12.3: Valve seat for GD2 (Spare part-nr. 42315000)
  - 13: Wall brackets (Spare part-nr. 3855800M)\*
- \* Optional accessories