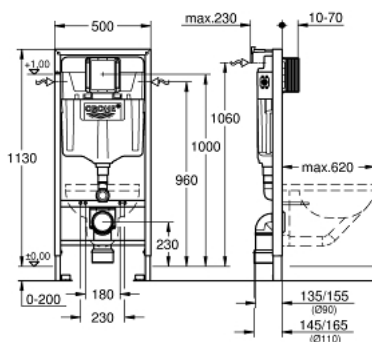


38 539 001 RAPID SL ELEMENT FOR WC, 1.13 M INSTALLATION HEIGHT

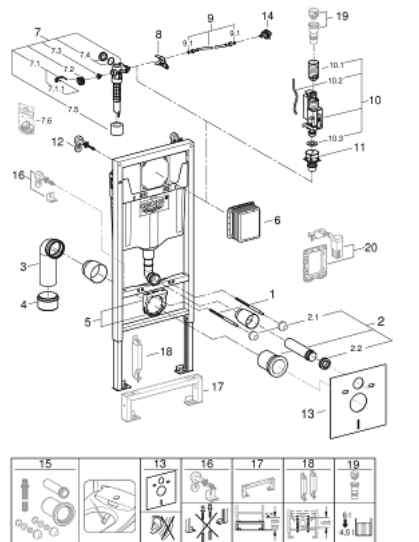


PRODUCT DESCRIPTION

- with flushing cistern GD 2, 6 - 9 l
- for on-the-wall installations or studded walls
- powder coated steel frame, self-supporting
- for dry-cladding, completely pre-assembled
- with fixed connections
- quick adjustment, lockable
- fixing material
- TÜV approved
- 2 WC fixing bolts
- fixing device for ceramic
- WC ceramics with small bearing area (less than 205 mm) require additional accessory 38 779 000
- distance of fixing bolts 180/230 mm
- outlet bend Ø 90 mm
- depth adjustable
- reducer Ø 90/110 mm
- inlet and outlet connecting set
- flushing cistern GD 2, 6 - 9 l, containing following features:
 - adjustment ex factory 6l and 3l
 - pneumatic discharge valve offering 3 modes of operation: dual flush or start/stop or single flush
 - water supply from left/right or back
 - low noise (group I acc. to German Noise Specification)
 - insulated against condensation
 - ½" water supply connection including integrated angle valve and push fit flexible hose union
- no tools required for the installation of the inspection shaft incl. protection during construction phase
- for vertical or horizontal use
- including wall brackets 38 558 00M for on-the-wall installation
- including WC set for noise protection (37 131 000)
- for mounting of small flush plates please order revision shaft 40 911 000 (sold separately)



38 539 001 RAPID SL ELEMENT FOR WC, 1.13 M INSTALLATION HEIGHT



SPARE PARTS, October 2021 – now

- 1: Threaded bolt (Spare part-nr. 4276400M)
- 2: WC inlet and outlet connecting set (Spare part-nr. 37311K00)
- 2.1: Basin fastening (Spare part-nr. 43511SH0)
- 2.2: Connector (Spare part-nr. 37119000)
- 3: PP-outlet bend Ø 90 mm (Spare part-nr. 42327000)
- 4: 4" Outlet Adaptor F Rapid SI (Spare part-nr. 42242000)
- 5: Support for outlet bend (Spare part-nr. 42243000)
- 6: Inspection shaft (Spare part-nr. 66791000)
- 7: Filling valve (Spare part-nr. 37095000)
- 7.1: Lever (Spare part-nr. 43734000)
- 7.1.1: Ball seal dia. 9x6.8 mm (Spare part-nr. 4377000M)
- 7.2: Valve head (Spare part-nr. 43536000)
- 7.3: Membrane (Spare part-nr. 4375800M)
- 7.4: Screw cap (Spare part-nr. 43735000)
- 7.5: Valve float, 5 pcs. (Spare part-nr. 4379100M)
- 7.6: Repl. kit f. seal (Spare part-nr. 43722000)*
- 8: Support device (Spare part-nr. 42246000)
- 9: Tube (Spare part-nr. 42233000)
- 9.1: Seat washer (Spare part-nr. 0319100M)
- 10: Dual Flush discharge valve AV1 (Spare part-nr. 42320000)
- 10.1: Extension for overflow pipe (Spare part-nr. 42313000)
- 10.2: pneumatic hose (Spare part-nr. 42319000)
- 10.3: Ball seal dia. 9x6.8 mm (Spare part-nr. 42310000)
- 11: Valve seat for GD2 (Spare part-nr. 42315000)
- 12: Wall union (Spare part-nr. 3855800M)
- 13: Set for noise protection (Spare part-nr. 37131000)
- 14: Water connection (Spare part-nr. 48561000)
- 15: Retrofit kit for shower toilets Sensia Arena and Sensia Pro (Spare part-nr. 40899000)*
- 16: Xtra wall brackets, flexible placing (Spare part-nr. 38733000)*
- 17: Extension (Spare part-nr. 38629000)*
- 18: Accessory (Spare part-nr. 38779000)*
- 19: 4,5 l Adapter for GD2 (Spare part-nr. 42333000)*
- 20: Retro-fit set (Spare part-nr. 38796000)*

* Optional accessories