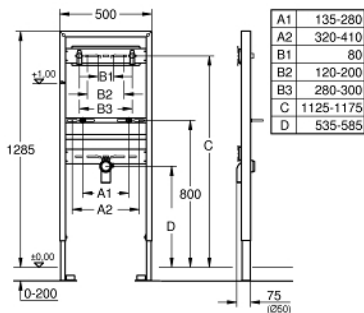


## 38 546 000 RAPID SL ELEMENT FOR WASH BASIN, FOR WALL MOUNTED FITTINGS

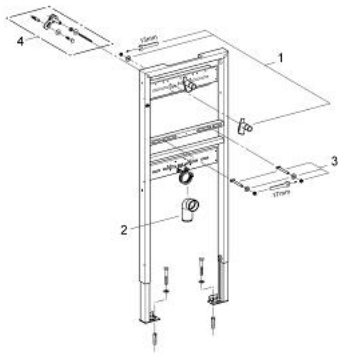


### PRODUCT DESCRIPTION

- 1.30 m installation height
- for on-the-wall installations or studded walls
- powder coated steel frame, self-supporting
- for dry-cladding, completely pre-assembled
- with fixed connections
- quick adjustment, lockable
- fixing material
- TÜV approved
- wash basin fixing bolts M10 with fixing device for ceramic
- variable distance of fixing bolts
- HT-outlet bend DN 50
- seal Ø 32 mm
- 2 noise protected fitting connections ½"
- for on-the-wall installation please order wall brackets 38 558 00M (sold separately)



## 38 546 000 **RAPID SL ELEMENT FOR WASH BASIN, FOR WALL MOUNTED FITTINGS**



### **SPARE PARTS**, November 2008 – now

1: Fitting connection (Spare part-nr. 42944000)

2: Flush elbow 2" (Spare part-nr. 42943000)

2.1: holder (Spare part-nr. 42236000)

3: THREADED BOLT (Spare part-nr. 42247000)

4: Wall union (Spare part-nr. 3855800M)\*

\* Optional accessories