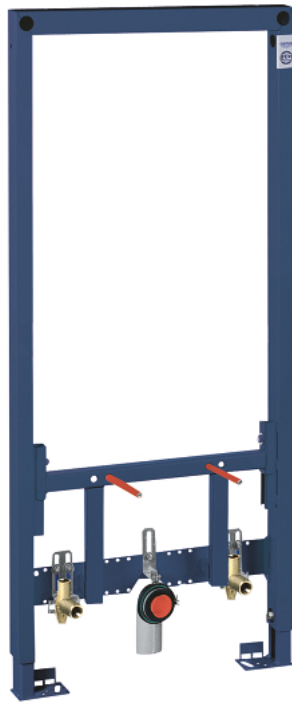
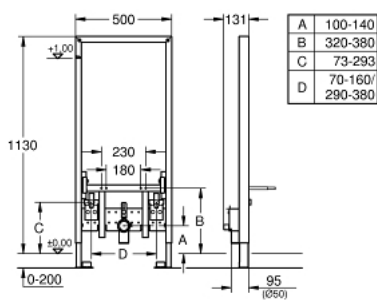


38 553 001 RAPID SL ELEMENT FOR BIDET, 1.13 M INSTALLATION HEIGHT



PRODUCT DESCRIPTION

- vertical support for ceramics with small bearing area (< 205 mm)
- powder coated steel frame, self-supporting
- for on-the-wall installations or studed walls
- pre-assembled
- height adjustable fitting connections
- quick adjustment, lockable
- fixing material
- TÜV approved
- bidet fixing bolts
- HT-outlet bend DN 50
- seal Ø 32 mm
- 2 fitting connections ½"
- fixing material for bidet
- for on-the-wall installation please order wall brackets 38 558 00M (sold separately)



38 553 001 **RAPID SL ELEMENT FOR BIDET, 1.13 M INSTALLATION HEIGHT**

SPARE PARTS, August 2014 – now

- 1: Threaded bolt (Spare part-nr. 4276400M)
- 2: Fitting connection (Spare part-nr. 42944000)
- 3: Wall union (Spare part-nr. 3855800M)*

* Optional accessories

